

LANYARD

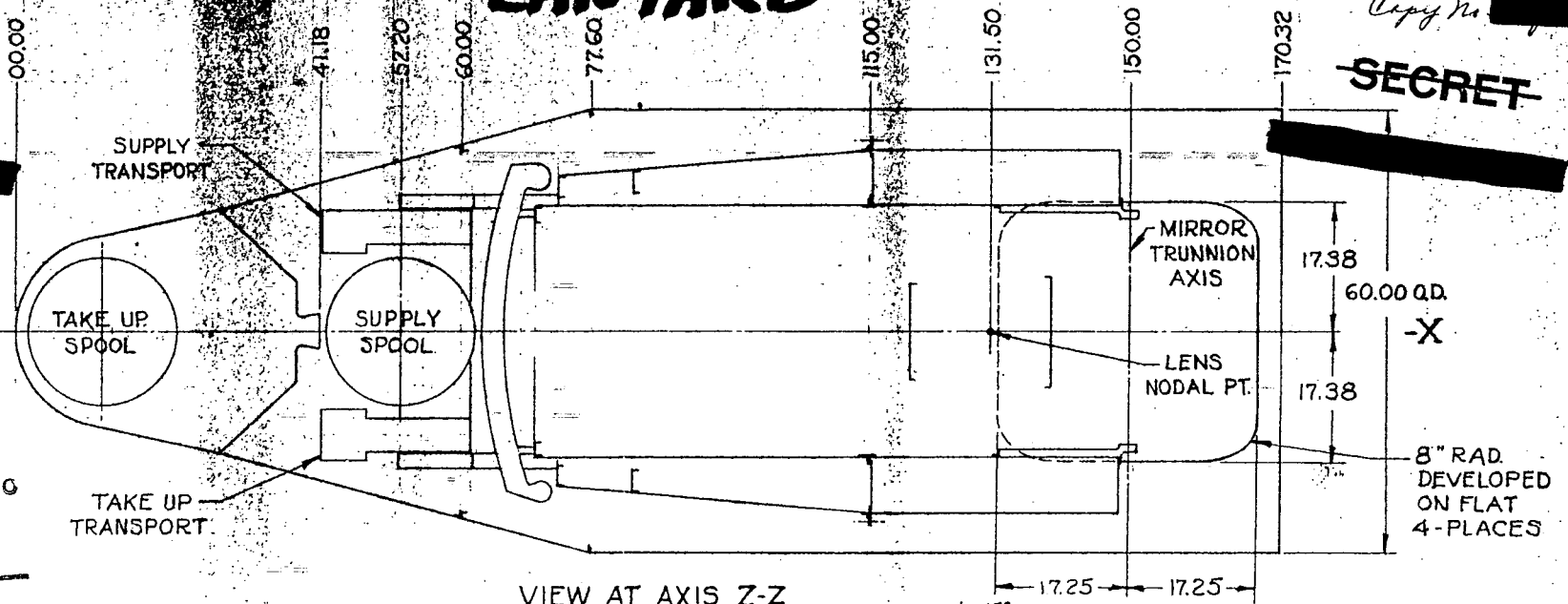
14 00070370

Copy No. [REDACTED]

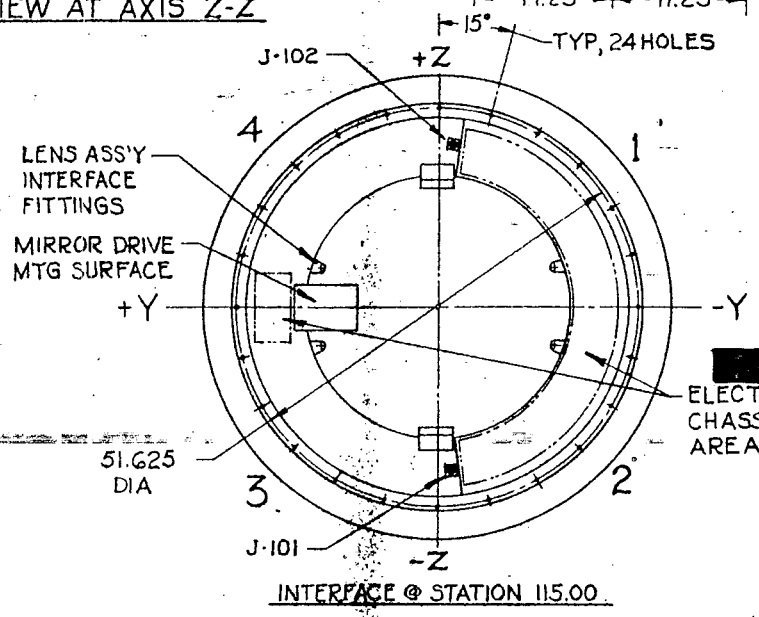
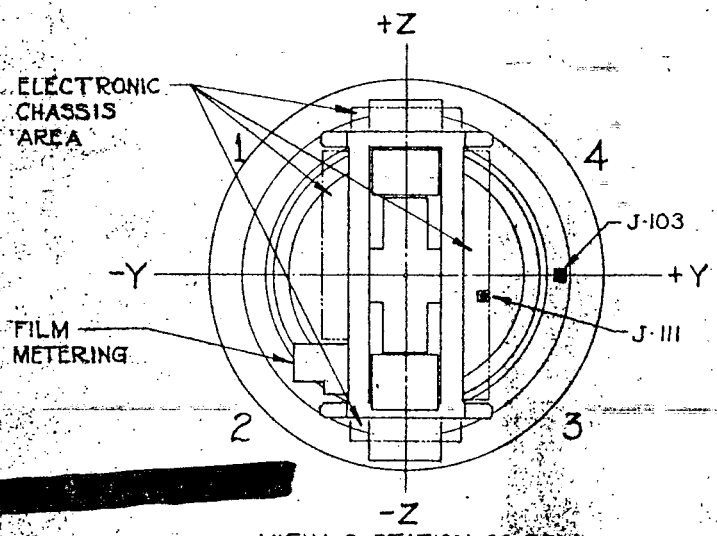
SECRET

APPROVAL BLOCK
 5/2/62
 5/12/62
 6/2/62

SECRET



Declassified and Released by the NRC
 in Accordance with E. O. 12958
 on NOV 26 1997



Received from [REDACTED]
 on 3 May 62

ELECTRONIC CHASSIS AREA

5" PANORAMIC OUTLINE

SECRET

FIG. NO. 10077 B