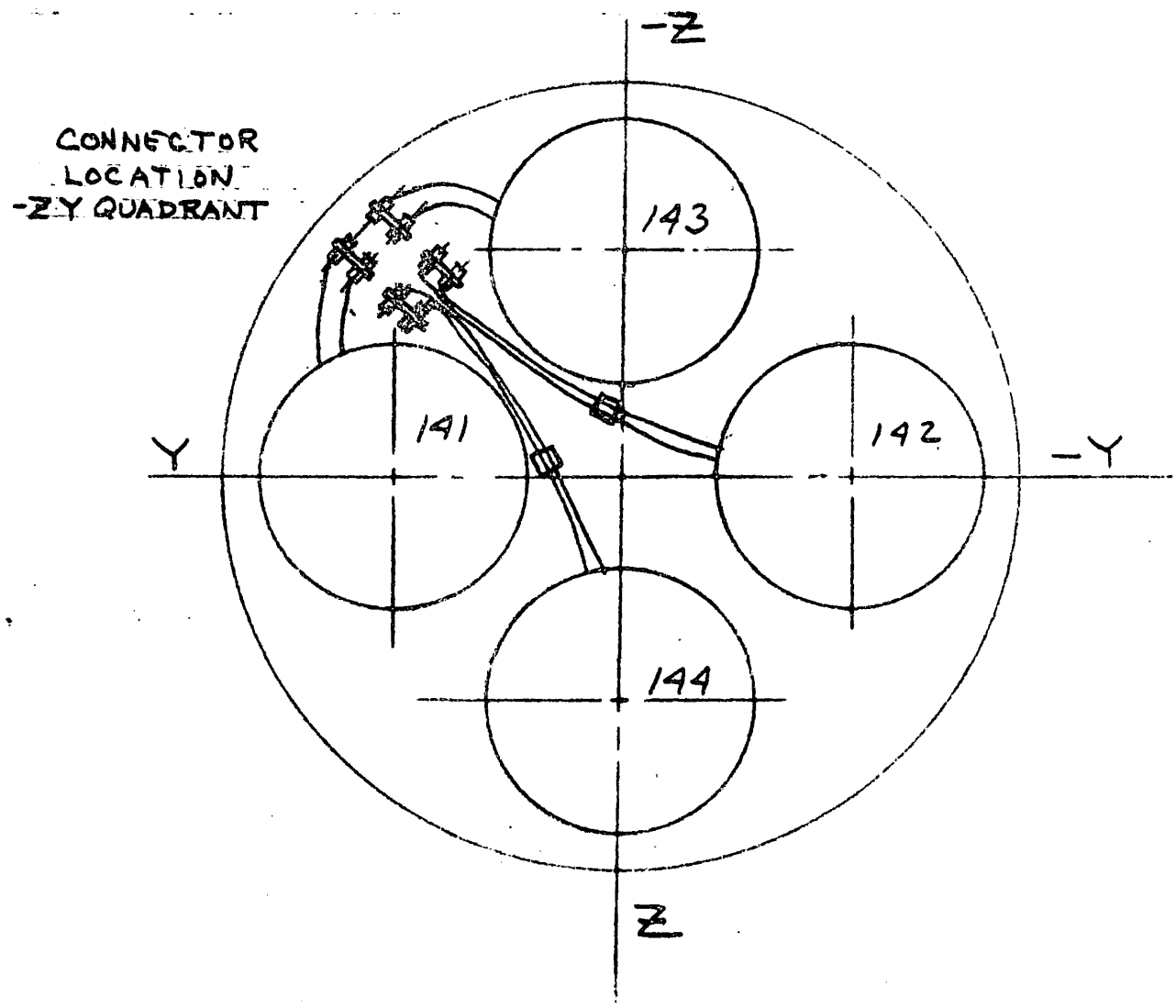


MECHANICAL - ELECTRICAL INTERFACE



ASSEMBLY PROCEDURE

1. INSTALL EXPERIMENT 144
2. INSTALL EXPERIMENT 142
3. ATTACH WIRE CLAMPS
4. INSTALL EXPERIMENT 141
5. INSTALL EXPERIMENT 143

19 JUNE 64