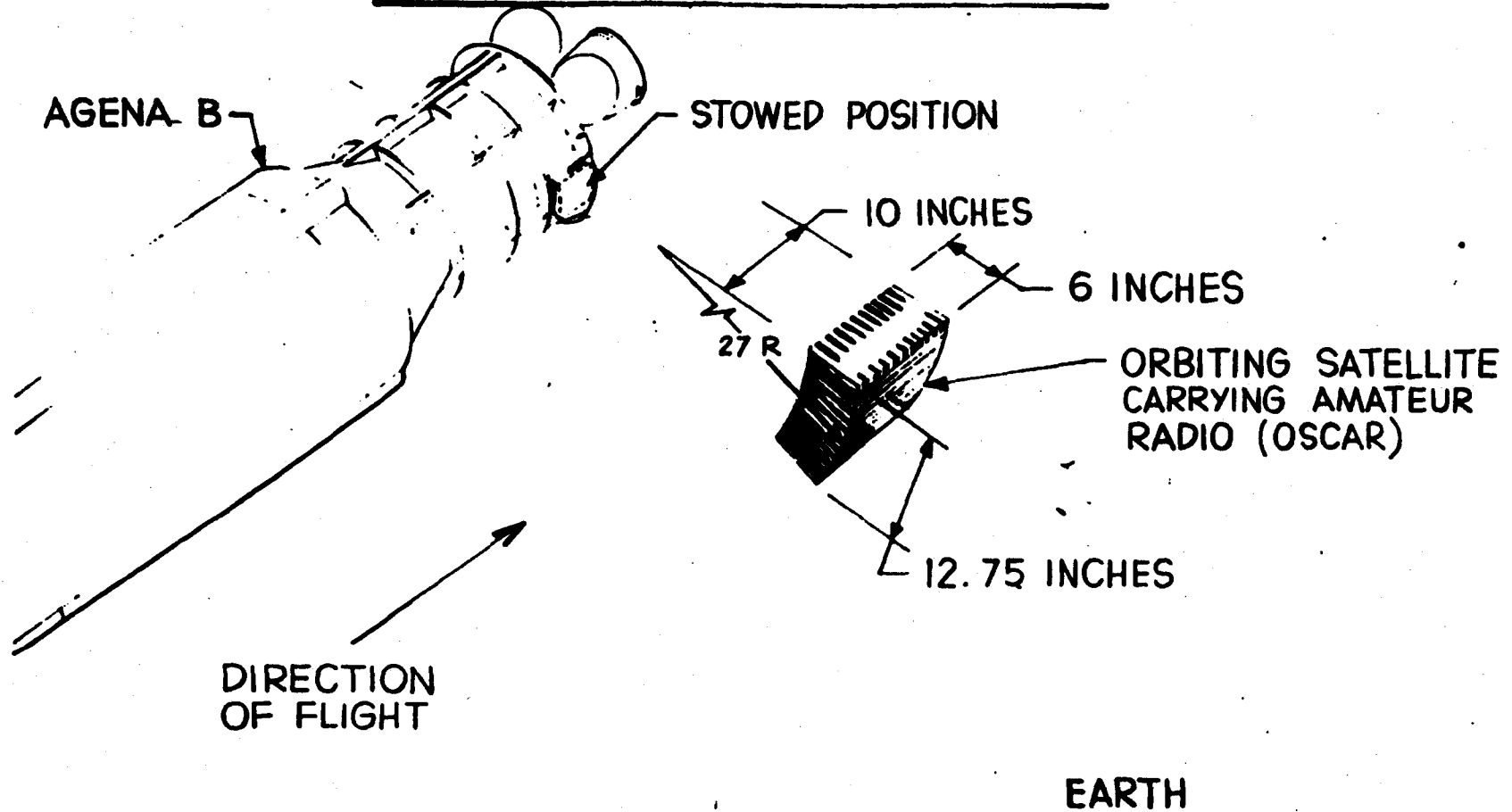


UNCLASSIFIED

DISCOVERER RESEARCH PROGRAM

EJECTION OF COMMUNICATION PACKAGE



P-6469 DISK 2-4-56
2721

UNCLASSIFIED

UNCLASSIFIED

DISCOVERER RESEARCH PROGRAM

PROPOSED GEOPHYSICAL EXPERIMENTS

FTV NUMBER	1124	1125	1126	1132	1127	1128	1134	1129	1130	1131	1133	1135	1136
POOR NUMBER	112	113	114	115	116	117	118	119	120	121	122	123	124
1. EROISON DETECTOR													
2. IMPEDANCE PROBE 1A													
TEMP. COMMUTATOR													
3. COSMIC RAY MON. 7B													
1. DENSITY GAGE MOD 3A													
2. RADIOMETER, MODEL 4													
3. RADIOMETER, MODEL 5													
4. CHARGED PARTICLE ENERGY													
5. COSMIC RAY MONITOR 8B													
6. GALACTIC RF MON, 3													
7. ELECTRON DENSITY GAGE 2C													
8. ULTRA VIOLET RADIOMETER													
9. GALACTIC RF MON 2													
10. RETARD POTENT. ANALYZER													
11. ION TRAP													
BETA-GAMMA DETECTOR													
TISSUE EQUIVALENT CHAMBER													
12. IMPEDANCE PROBE 2													
13. MAGNETOMETER													
14. 20/40 TRANSMITTER													
NEUTRON DETECTOR 3													
MASS SPECTROMETER													
RADIOMETER, MODEL 6													
MICROMETEORITE DETECTOR, GRIP-ACOUSTIC													

VELA
HOTEL

1. EXPERIMENT MOUNTED ON ERECTABLE BOOM TWO TAPE ANTENNAE REQUIRED SENSORS FACING EARTH
SENSOR FACING ZENITH

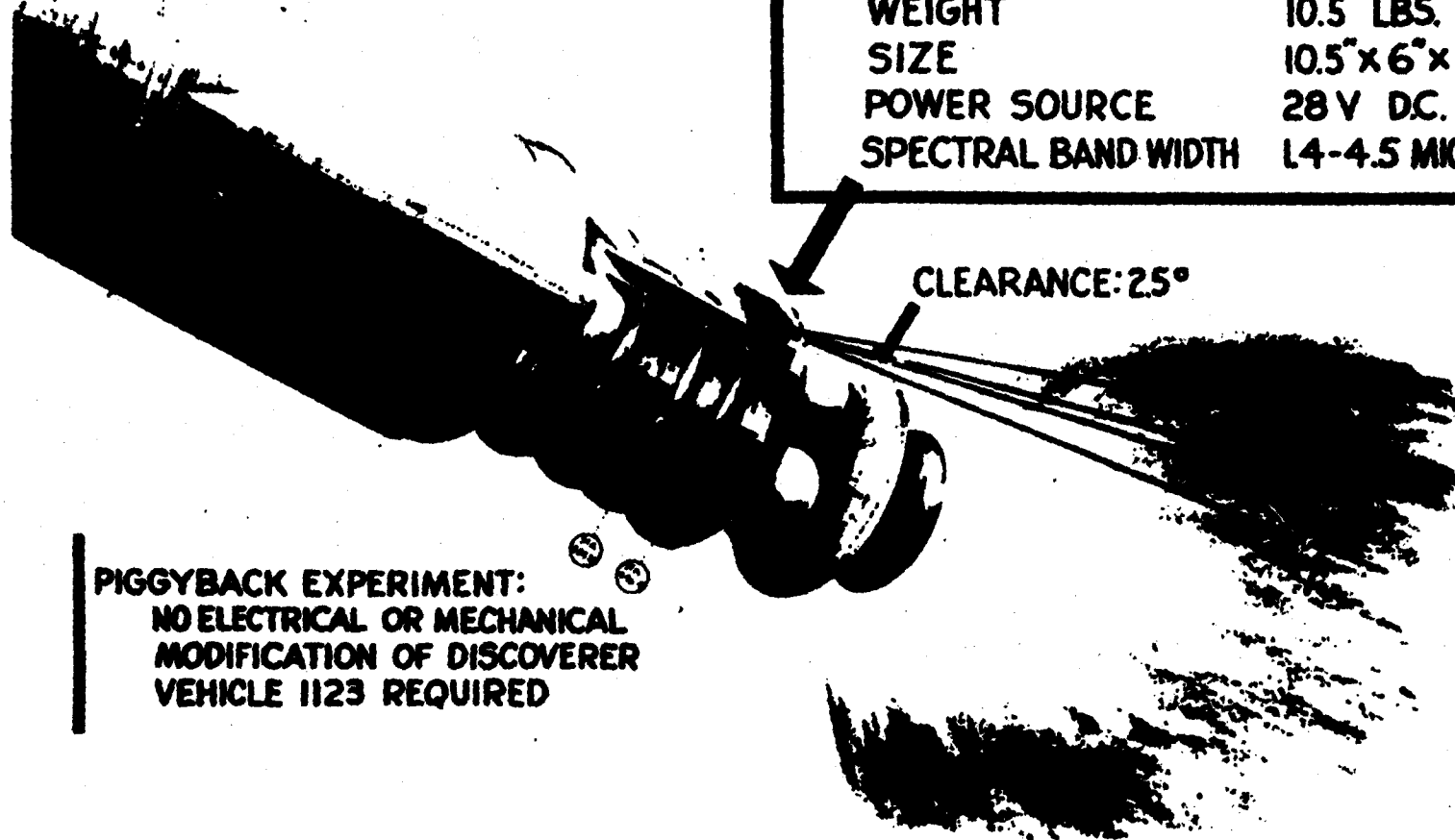
UNCLASSIFIED

DISCOVERER RESEARCH PROGRAM

MIDAS PLUME

SPECTROMETER CHARACTERISTICS:

WEIGHT	10.5 LBS.
SIZE	10.5" x 6" x 4.6"
POWER SOURCE	28 V DC.
SPECTRAL BAND WIDTH	1.4-4.5 MICRONS



**PIGGYBACK EXPERIMENT:
NO ELECTRICAL OR MECHANICAL
MODIFICATION OF DISCOVERER
VEHICLE 1123 REQUIRED**

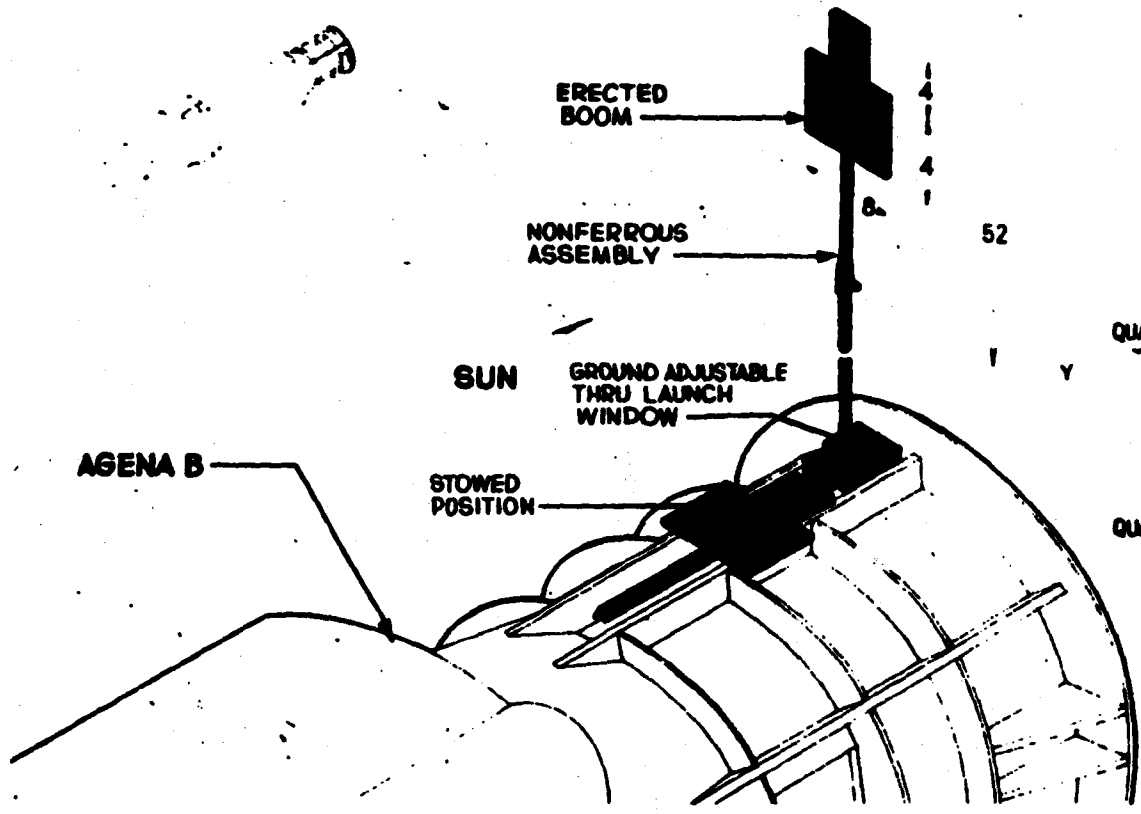
P 1123

UNCLASSIFIED

UNCLASSIFIED

DISCOVERER RESEARCH PROGRAM

THERMOELECTRIC BOOM



NOTES

- 1 TEST OBJECTIVE DETERMINE THE OPERATING CHARACTERISTICS OF A THERMOELECTRIC GENERATOR IN SPACE ENVIRONMENT
 - 2 OPERATION
 - A THERMOELECTRIC GENERATOR EXTEND IN PLACE AFTER VEHICLE PLACED IN ORBIT
 - B ACTIVE LIFE OF THERMAL ELECTRIC GENERATOR SYSTEM 4 DAYS
 - B THERMAL ELECTRIC BOOM WEIGHT 90 LBS
 - 4 TELEMETRY SYS LINKS (WEIGHT 24 LBS)
- A TAPE RECORDER
B COMMUTATOR
C T/M BOX
D DIP SWITCH BOX
E DIP JUNCTION BOX

+X

52

QUAD I QUAD IV

QUAD II QUAD III

-X

DIRECTION OF FLIGHT

DISCOVERER RESEARCH PROGRAM

UNCLASSIFIED

UNCLASSIFIED

DISCOVERER RESEARCH PROGRAM

HORIZON SENSOR EXPERIMENT

OBJECTIVES:

TO EVALUATE THE PERFORMANCE
OF A HORIZON SENSOR FOR
CONTROL OF VEHICLE ORIENTATION

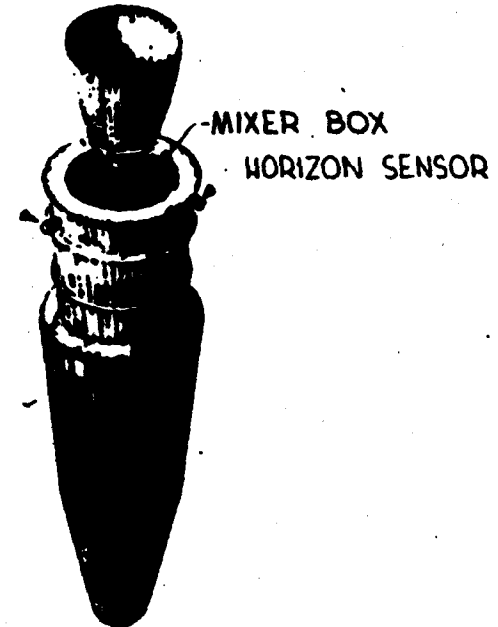
EQUIPMENT:

2 HORIZON SCANNERS
1 MIXER BOX
1 PRE-AMP. BOX
TOTAL EQUIP. WT. 13.5 LBS.

TELEMETRY:

7 INSTRUMENTATION POINTS WITH 2 ON CONT CH
REAL TIME DATA VIA LINK II T/M
POWER REQUIREMENTS, 12 WATTS

HORIZON SENSOR



1-6460 DISC 2-10-62
CP-5-1

UNCLASSIFIED

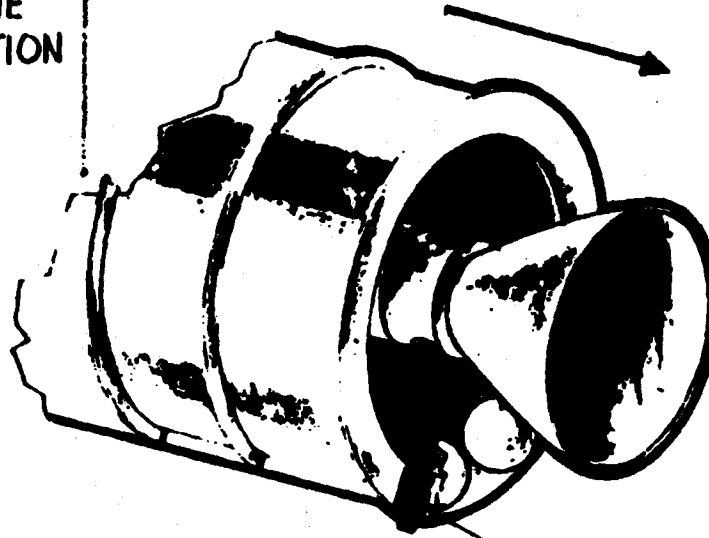
UNCLASSIFIED

DISCOVERER RESEARCH PROGRAM

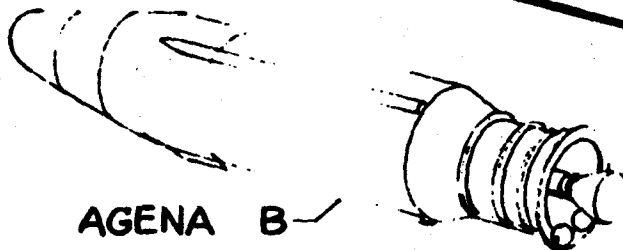
ULTRA VIOLET RADIOMETER EXPERIMENT

OBJECTIVE:
TO DETERMINE THE
OZONE DISTRIBUTION
AS A FUNCTION
OF ALTITUDE

DIRECTION OF FLIGHT



COMMUNICATIONS:
• 4 INSTRUMENTATION POINTS
• REAL TIME DATA VIA
LINK II T/M
• RECORDED DATA ON
DUAL TRACK 180 MIN.
TAPE RECORDER
(27:1 RATIO).



UV RADIOMETER

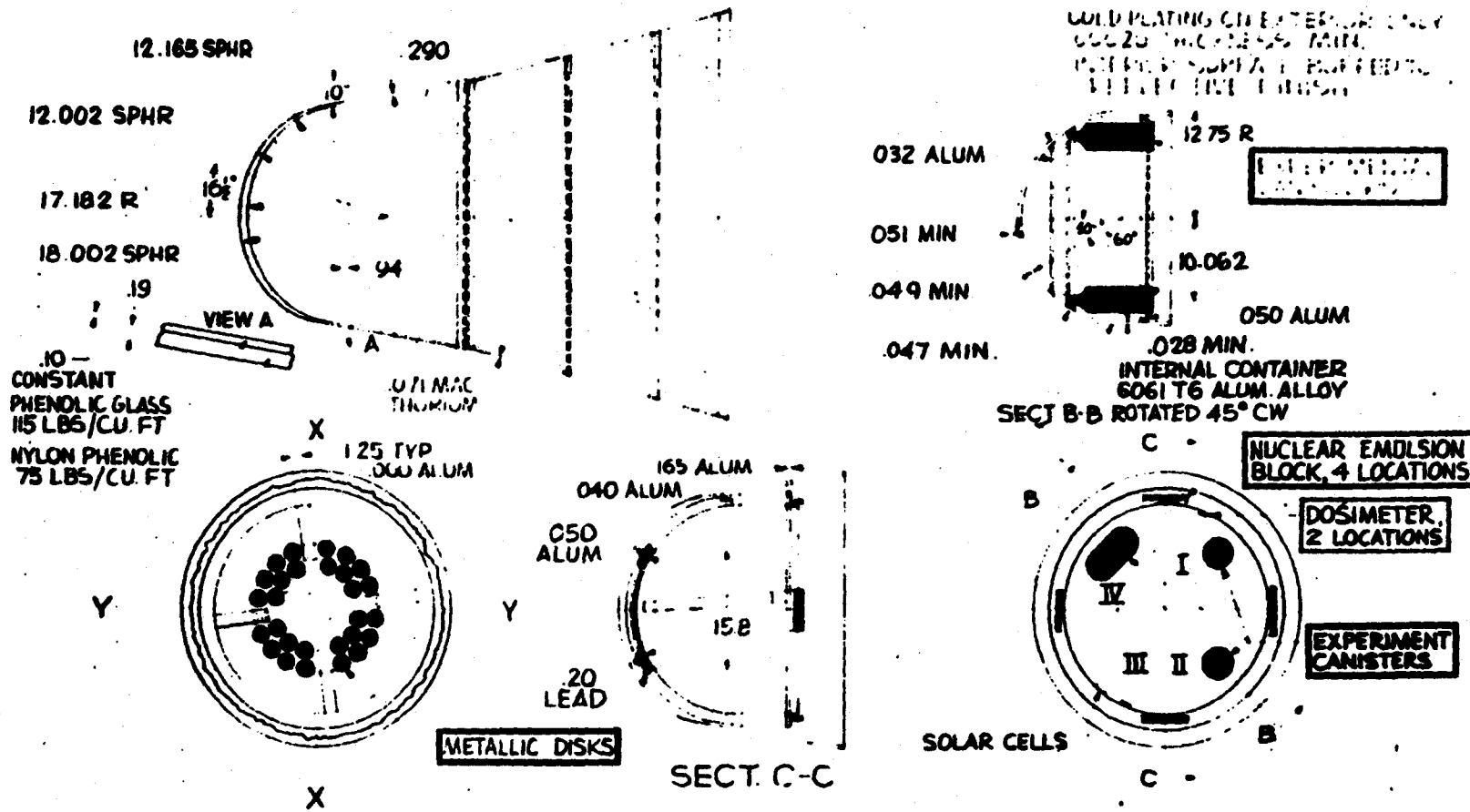
AGENA B

1-5475 0132 2-1150
19-71

UNCLASSIFIED

UNCLASSIFIED

DISCOVERER RECOVERY CAPSULE



P-6033 "Disc" 12/6/61
CY-6-1

UNCLASSIFIED

UNCLASSIFIED

DISCOVERER RESEARCH PROGRAM

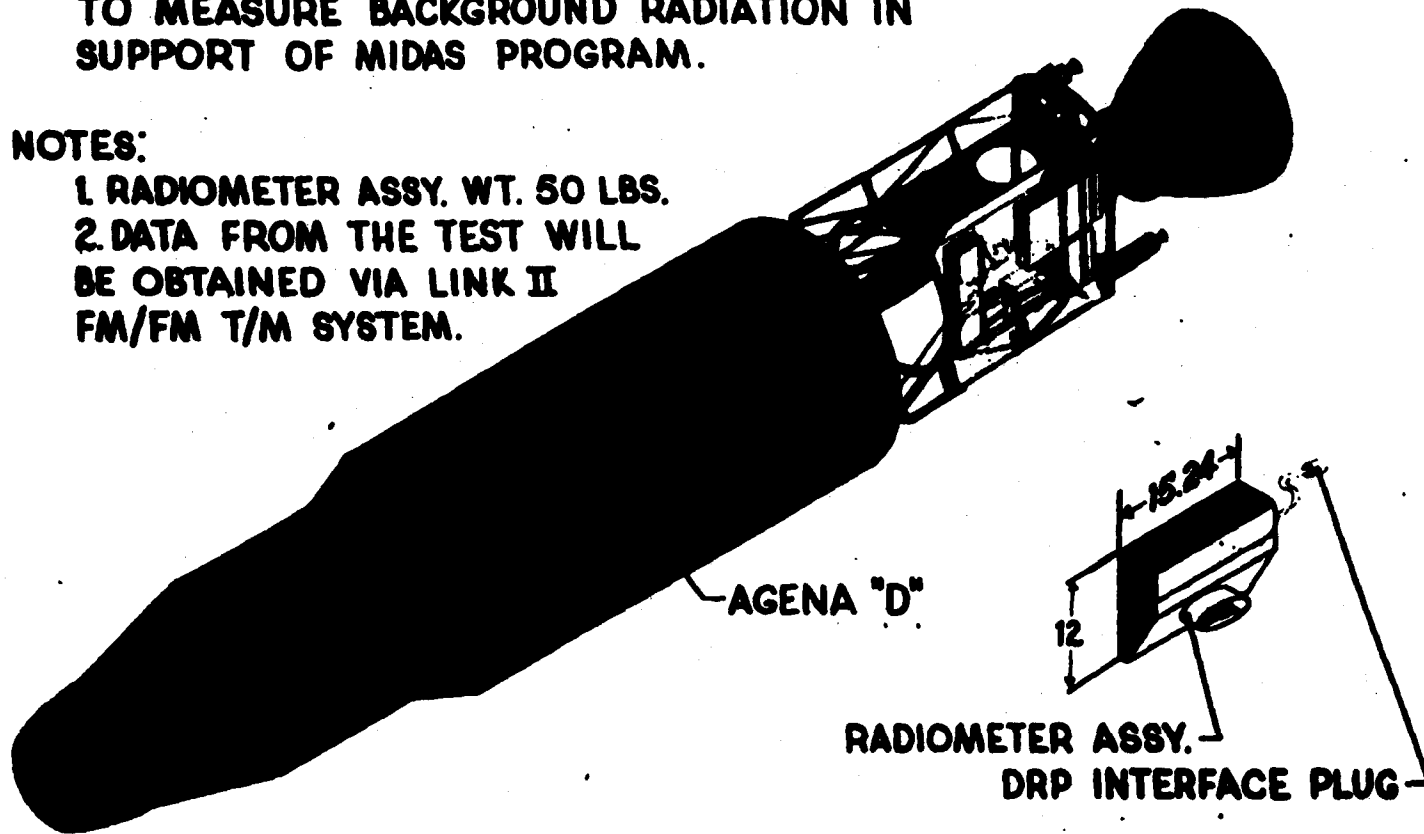
RADIOMETER TEST

OBJECTIVE:

TO MEASURE BACKGROUND RADIATION IN
SUPPORT OF MIDAS PROGRAM.

NOTES:

1. RADIOMETER ASSY. WT. 50 LBS.
2. DATA FROM THE TEST WILL
BE OBTAINED VIA LINK II
FM/FM T/M SYSTEM.



7-4091-1000 2-9-53

UNCLASSIFIED

UNCLASSIFIED

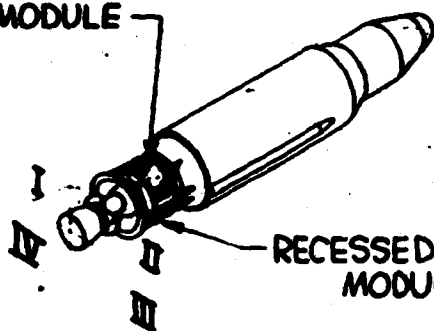
COVERER RESEARCH PROGRAM

RECESSED & LARGE DOOR MODULES

NOTES:

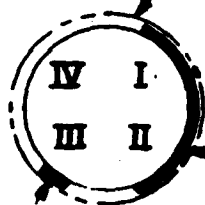
- TEST OBJECTIVES: TO PROVIDE A BASIC CAPABILITY FOR CONDUCTING SPACE ENVIRONMENT AND MATERIAL EXPERIMENTS
- MODULE WEIGHT
LARGE DOOR WITH BASIC EQUIP. - 35 LBS
RECESSED DOOR, VARIABLE
- ACTIVE LIFE OF MODULES - 4 DAYS
- BASIC EQUIP ON LARGE DOOR MODULE
TAPE RECORDER
PROGRAMMER
TWO COMMUTATORS
TIME REFERENCE GENERATOR
DC/DC POWER SUPPLY

LARGE DOOR MODULE



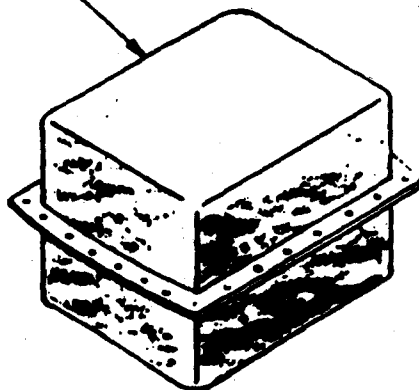
RECESSED DOOR MODULE

THOR INTERFACE



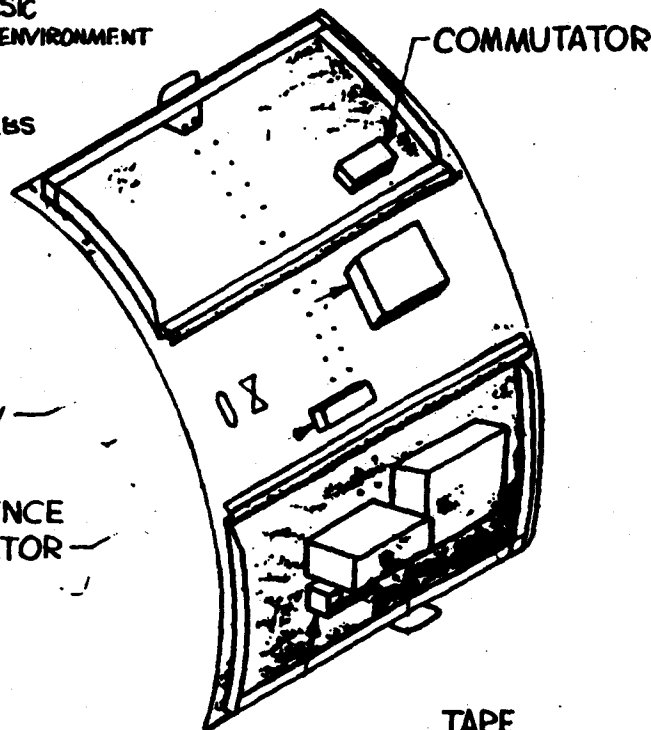
LARGE DOOR MODULE

RECESSED DOOR MODULE



DC/DC POWER SUPPLY

TIME REFERENCE GENERATOR



COMMUTATOR

TAPE RECORDER

COMMUTATOR

PROGRAMMER

LARGE DOOR MODULE

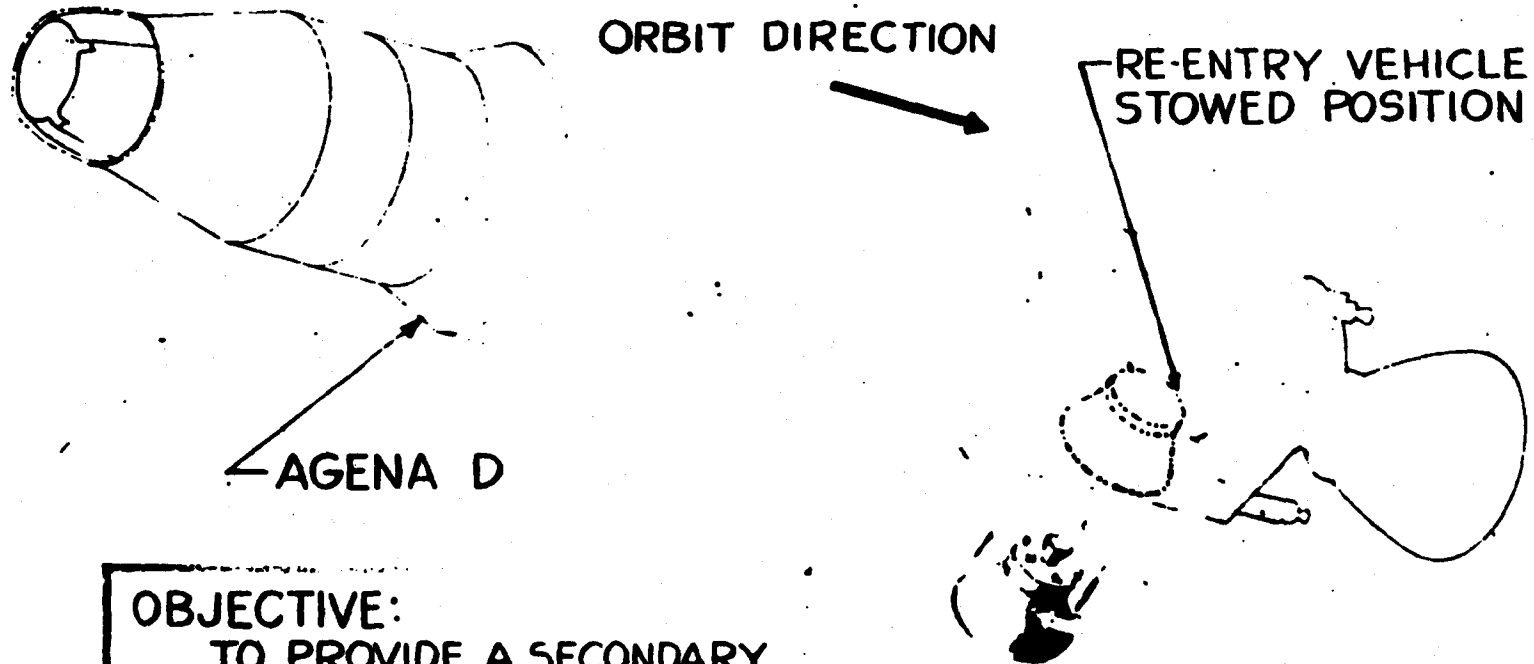
11-5484 (Rev. 2-77) 2/81

UNCLASSIFIED

UNCLASSIFIED

DISCOVERER RESEARCH PROGRAM

RE-ENTRY RESEARCH VEHICLE

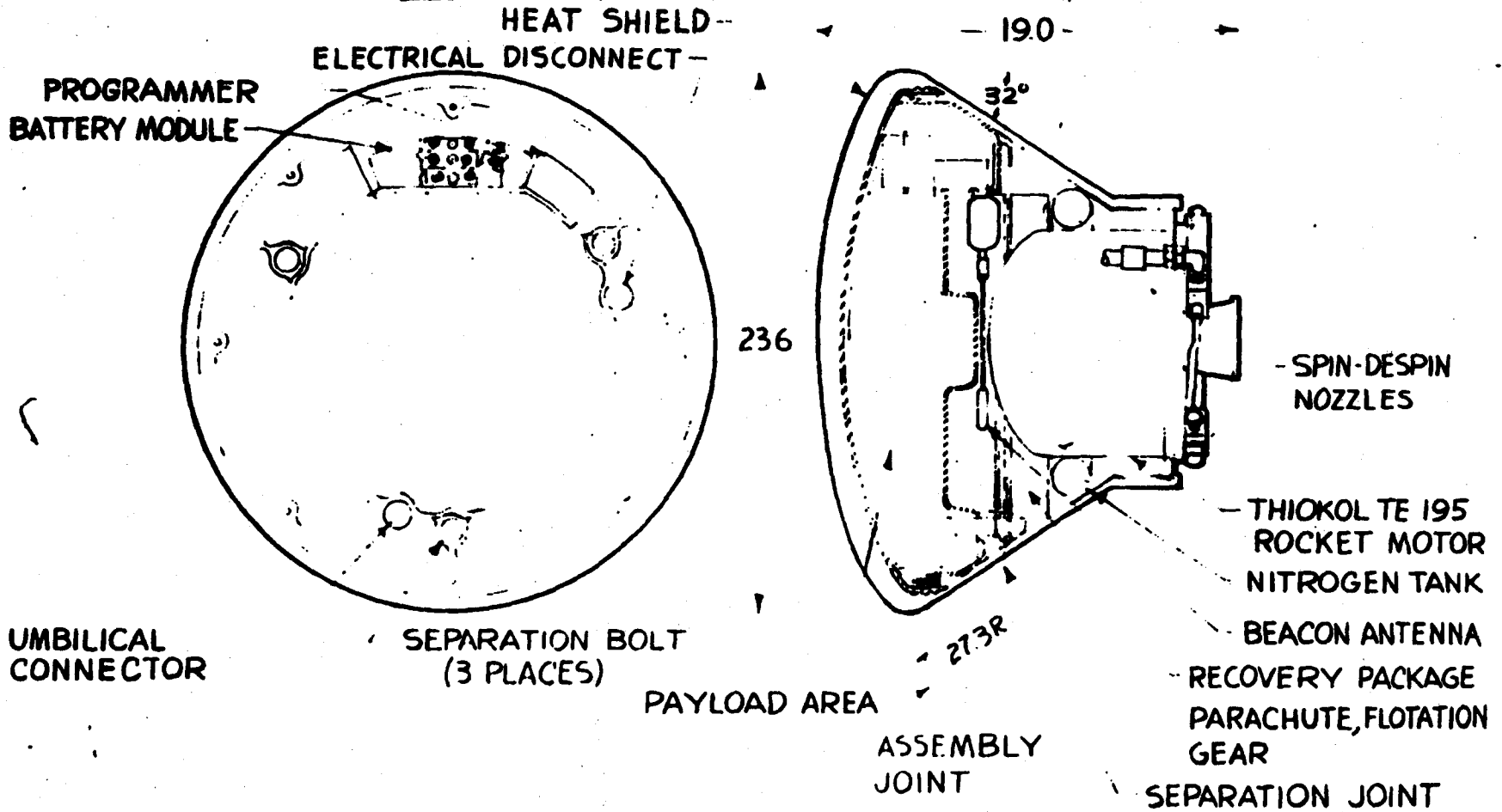


OBJECTIVE:
TO PROVIDE A SECONDARY
RE-ENTRY VEHICLE FOR
RESEARCH EXPERIMENTS

UNCLASSIFIED

DISCOVERER RESEARCH PROGRAM

RE-SEARCH RE-ENTRY VEHICLE



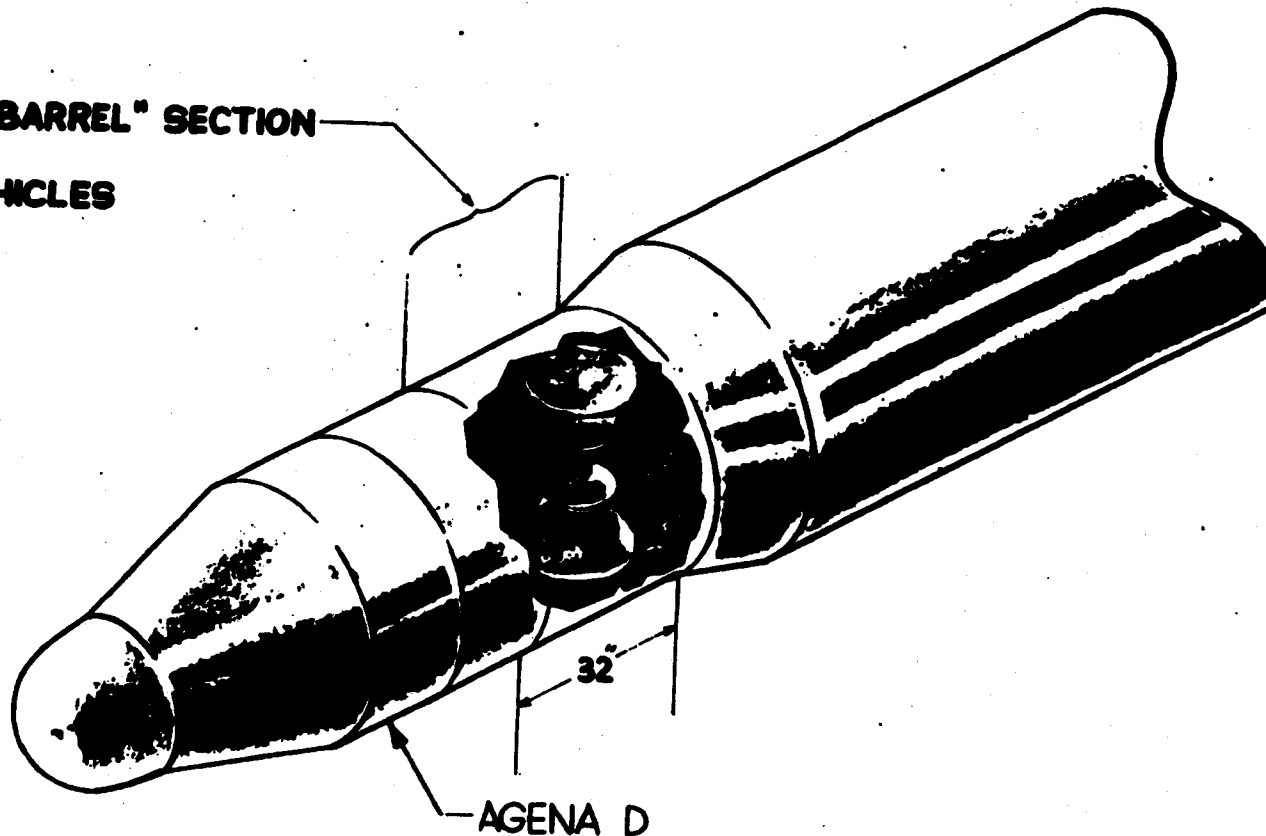
UNCLASSIFIED

UNCLASSIFIED

RESEARCH PROGRAM

ALTERNATE STOWAGE CONCEPT OF REENTRY RESEARCH VEHICLES

ADDITIONAL "BARREL" SECTION
STOWS TWO
RE-ENTRY VEHICLES



P0467 'DSC' 2-8-62
27.54

UNCLASSIFIED

UNCLASSIFIED

SOLAR REFLECTOR SYSTEM INSTALLATION

DISCOVERER

NOTE:

1. TEST OBJECTIVE: DETERMINE THE DELETERIOUS EFFECTS OF SPACE ENVIRONMENT ON SOLAR REFLECTORS.

2. OPERATION

A. REFLECTOR DEPLOYED ON ORBIT

B. VEH. RESTABILIZED & MAINTAINED ACTIVE FOR AS MANY ORBITS AS POSSIBLE TO PROVIDE SUN ORIENTATION TESTS

C. TUMBLING VEH. PROVIDES USEFUL TEST DATA THRU LINK IV FOR AN ADDITIONAL 24 DAYS MINIMUM

3. SOLAR REFLECTOR WEIGHT - 65 POUNDS

4. TELEMETER SYS. (LINK IV) WEIGHT 14 POUNDS

A. TAPE RECORDER (27:1 RATIO; 180 MIN R/I)

B. TRANSMITTER - VHF

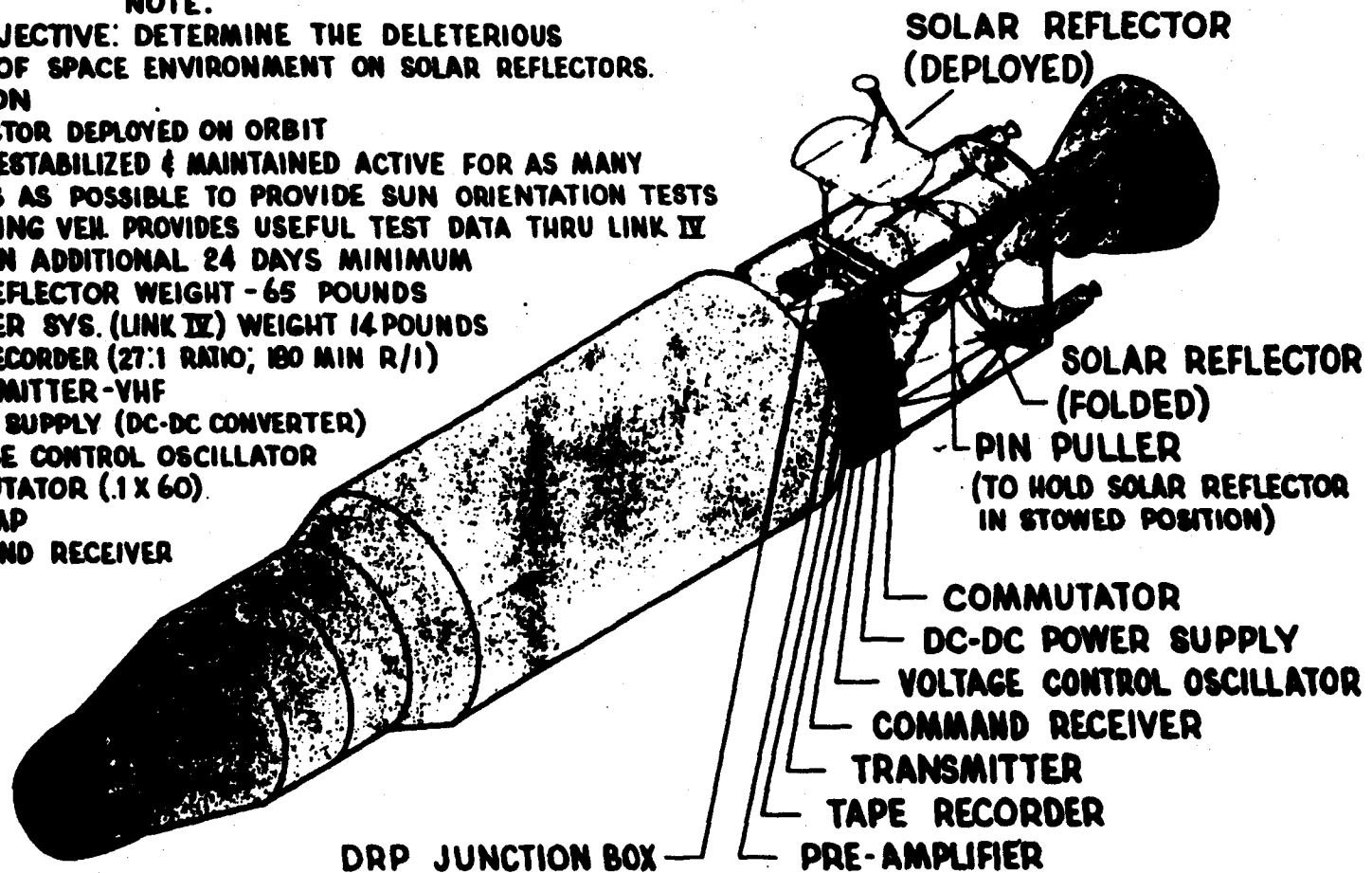
C. POWER SUPPLY (DC-DC CONVERTER)

D. VOLTAGE CONTROL OSCILLATOR

E. COMMUTATOR (.1 X 60)

F. PRE-AMP

G. COMMAND RECEIVER



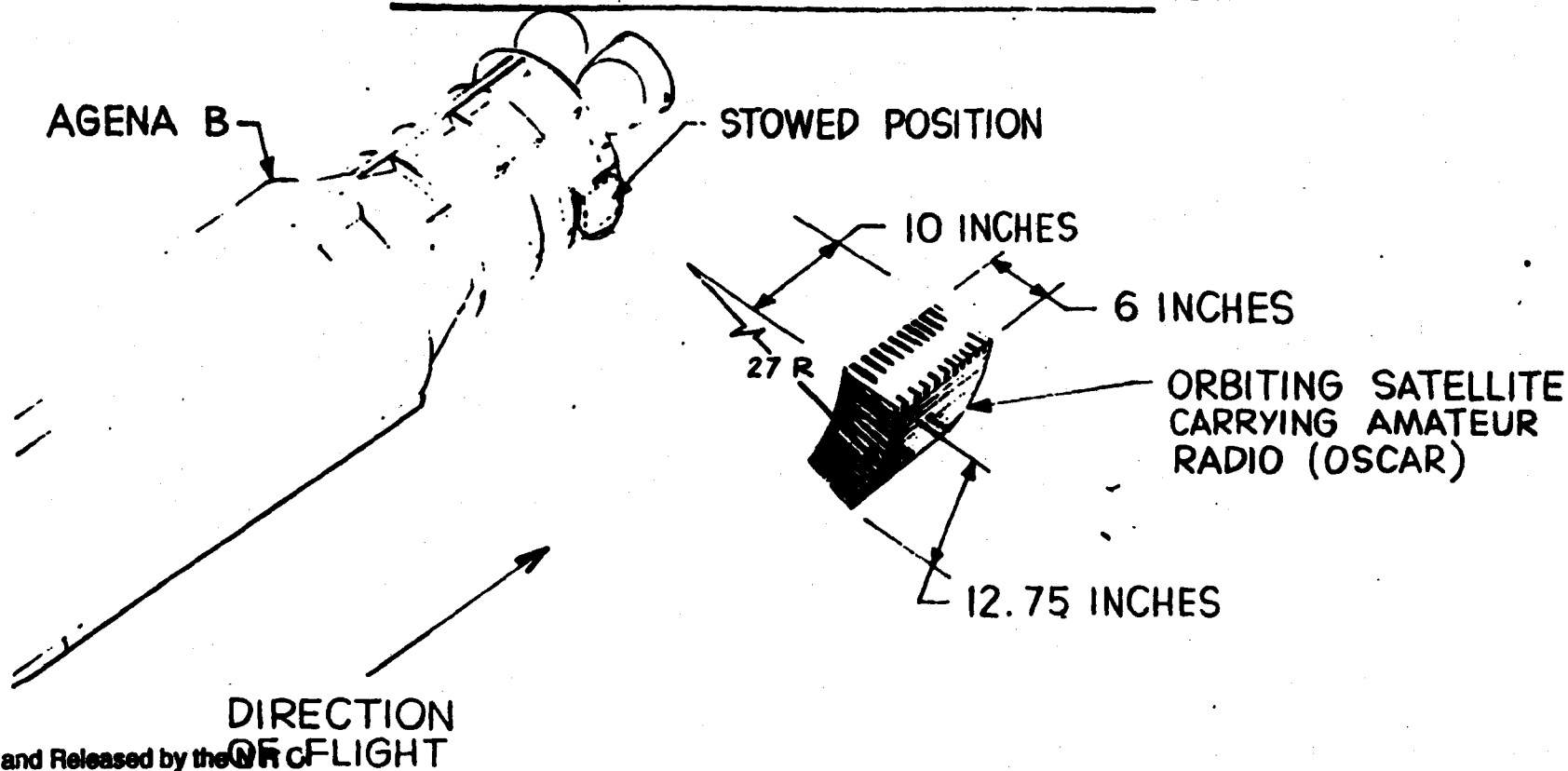
UNCLASSIFIED

SECRET

UNCLASSIFIED

DISCOVERER RESEARCH PROGRAM

EJECTION OF COMMUNICATION PACKAGE



Declassified and Released by the NRC

In Accordance with E. O. 12958

on NOV 26 1997

EARTH

1-6459 1130 2-4-76
2121

UNCLASSIFIED

UNCLASSIFIED

DISCOVERER RESEARCH PROGRAM

PROPOSED GEOPHYSICAL EXPERIMENTS

	FTV NUMBER	DOOR NUMBER	1124	1125	1126	1132	1127	1128	1134	1129	1130	1131	1133	1135	1136
1	EROSION DETECTOR		112	113	114	115	116	117	118	119	120	121	122	123	124
1	IMPEDANCE PROBE 1A														
1	TEMP. COMMUTATOR														
2	COSMIC RAY MON. 7B														
1	DENSITY GAGE MOD 3A														
1	RADIOMETER, MODEL 4														
1	RADIOMETER, MODEL 5														
1	CHARGED PARTICLE ENERGY														
1	COSMIC RAY MONITOR 8B														
2	GALACTIC RF MON, 3														
1	ELECTRON DENSITY GAGE 2C														
1	ULTRA VIOLET RADIOMETER														
2	GALACTIC RF MON 2														
1	RETARD POTENT. ANALYZER														
1	ION TRAP														
	BETA-GAMMA DETECTOR														
	TISSUE EQUIVALENT CHAMBER														
2	IMPEDANCE PROBE 2														
1	MAGNETOMETER														
2	20/40 TRANSMITTER														
	NEUTRON DETECTOR 3														
	MASS SPECTROMETER														
	RADIOMETER, MODEL 6														
	MICROMETEORITE DETECTOR, GRIP-ACOUSTIC														

VELA
HOTEL

1 EXPERIMENT MOUNTED ON ERECTABLE BOOM TWO TAPE ANTENNAE REQUIRED SENSORS FACING EARTH
SENSOR FACING ZENITH

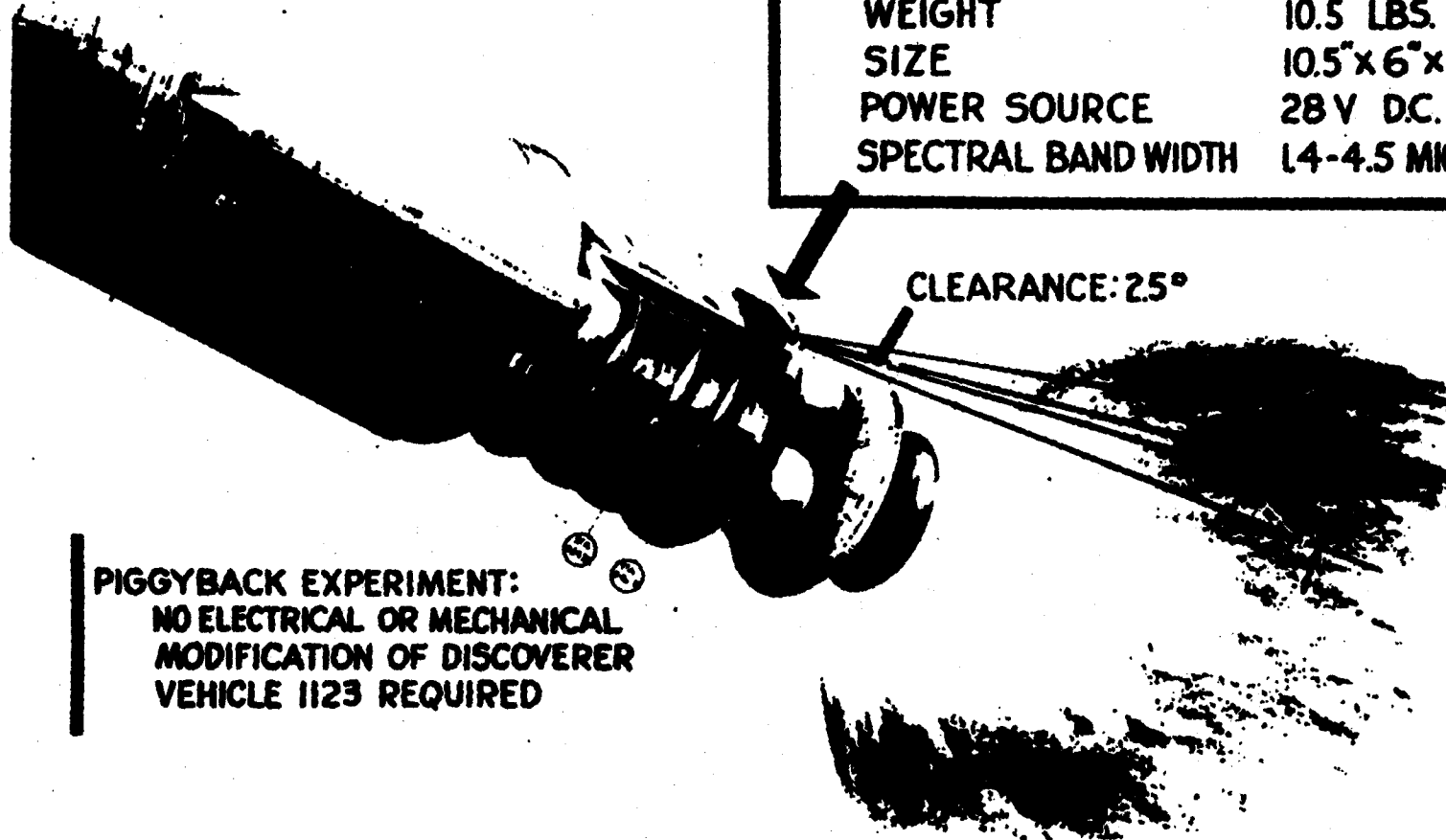
UNCLASSIFIED

DISCOVERER RESEARCH PROGRAM

MIDAS PLUME

SPECTROMETER CHARACTERISTICS:

WEIGHT	10.5 LBS.
SIZE	10.5" x 6" x 4.6"
POWER SOURCE	28V DC.
SPECTRAL BAND WIDTH	1.4-4.5 MICRONS



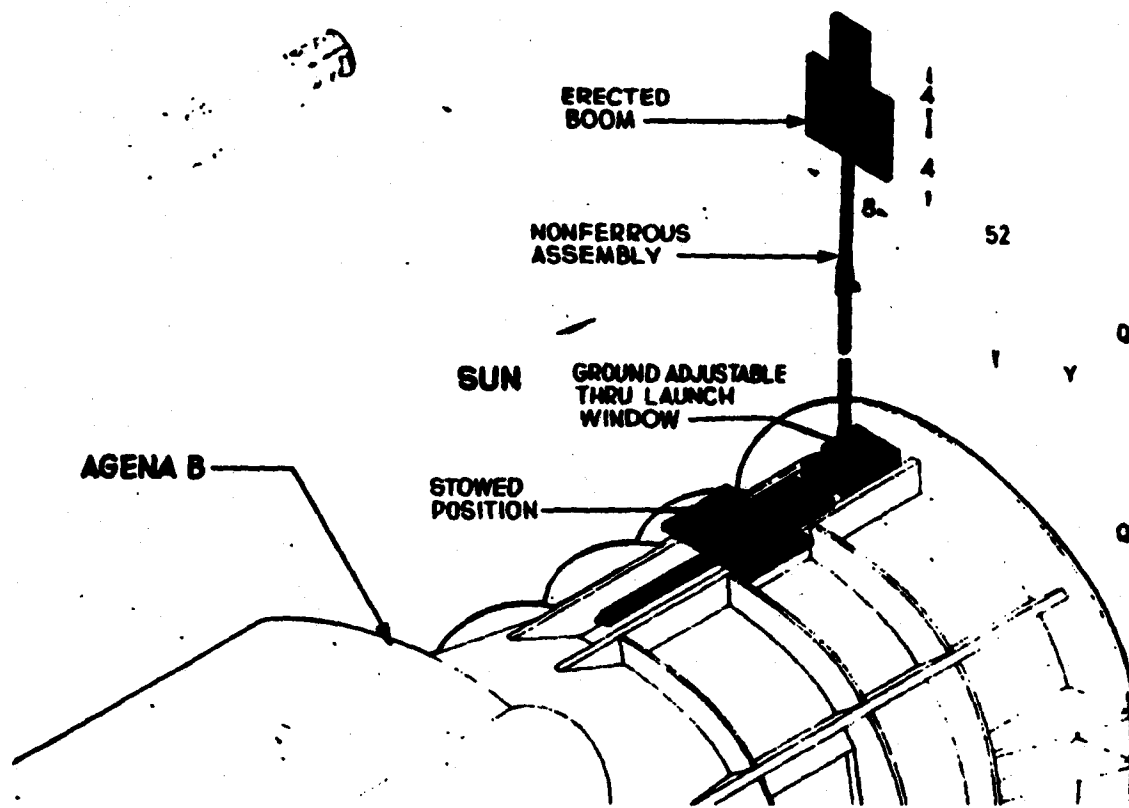
CLEARANCE: 25°

**PIGGYBACK EXPERIMENT:
NO ELECTRICAL OR MECHANICAL
MODIFICATION OF DISCOVERER
VEHICLE 1123 REQUIRED**

UNCLASSIFIED

DISCOVERER RESEARCH PROGRAM

THERMOELECTRIC BOOM



NOTES

- 1 TEST OBJECTIVE DETERMINE THE OPERATING CHARACTERISTICS OF A THERMOELECTRIC GENERATOR IN SPACE ENVIRONMENT
- 2 OPERATION
 - A THERMOELECTRIC GENERATOR EXTEND IN PLACE AFTER VEHICLE PLACED IN ORBIT
 - B ACTIVE LIFE OF THERMAL ELECTRIC GENERATOR SYSTEM 4 DAYS
 - B THERMAL ELECTRIC BOOM WEIGHT 90 LBS
 - 4 TELEMETRY SYS, LINK 2 (WEIGHT 24 LBS)
- A TAPE RECORDER
- B COMMUTATOR
- C T/M BOX
- D DEP SWITCH BOX
- E DEP JUNCTION BOX

U.S. AIR FORCE

UNCLASSIFIED

DISCOVERER RESEARCH PROGRAM

HORIZON SENSOR EXPERIMENT

OBJECTIVES:

TO EVALUATE THE PERFORMANCE
OF A HORIZON SENSOR FOR
CONTROL OF VEHICLE ORIENTATION

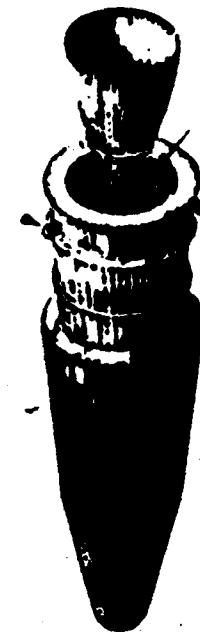
EQUIPMENT:

2 HORIZON SCANNERS
1 MIXER BOX
1 PRE-AMP. BOX
TOTAL EQUIP. WT. 13.5 LBS.

TELEMETRY:

7 INSTRUMENTATION POINTS WITH 2 ON CONT CH
REAL TIME DATA VIA LINK II T/M
POWER REQUIREMENTS, 12 WATTS

HORIZON SENSOR



MIXER BOX

HORIZON SENSOR

1-6460 DISC 2-10-62
CVS-1

UNCLASSIFIED

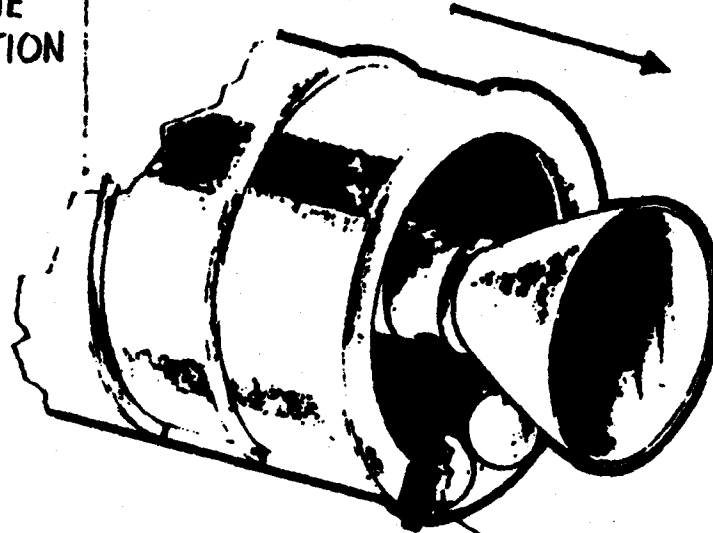
UNCLASSIFIED

DISCOVERER RESEARCH PROGRAM

ULTRA VIOLET RADIOMETER EXPERIMENT

OBJECTIVE:
TO DETERMINE THE
OZONE DISTRIBUTION
AS A FUNCTION
OF ALTITUDE

DIRECTION OF FLIGHT



COMMUNICATIONS:
• 4 INSTRUMENTATION POINTS
• REAL TIME DATA VIA
LINK II T/M
• RECORDED DATA ON
DUAL TRACK 180 MIN.
TAPE RECORDER
(27:1 RATIO).

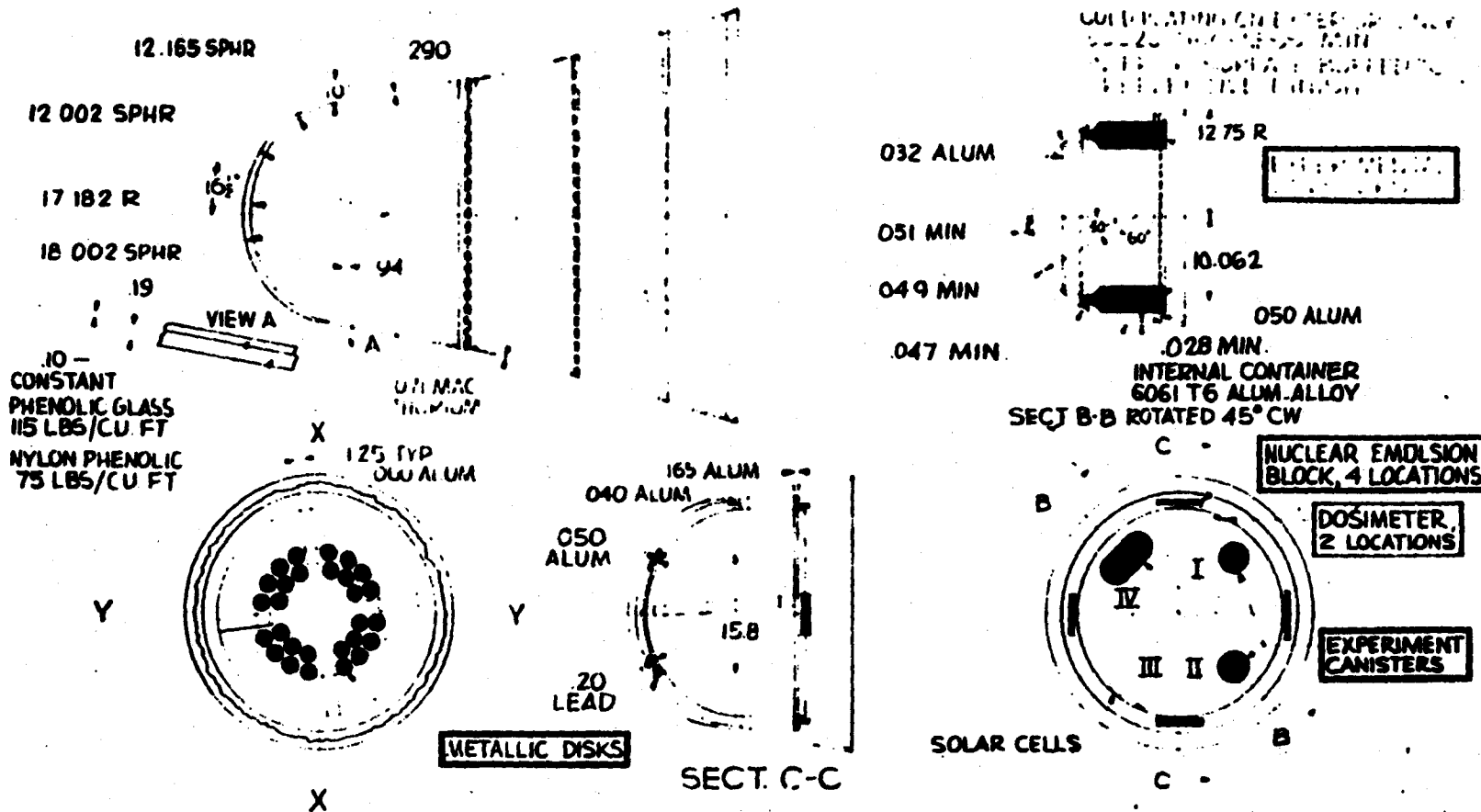
UV RADIOMETER

AGENA B

UNCLASSIFIED

UNCLASSIFIED

DISCOVERER RECOVERY CAPSULE



P-6033 "DISC" 12/6/61
CY-5-1

UNCLASSIFIED

UNCLASSIFIED

DISCOVERER RESEARCH PROGRAM

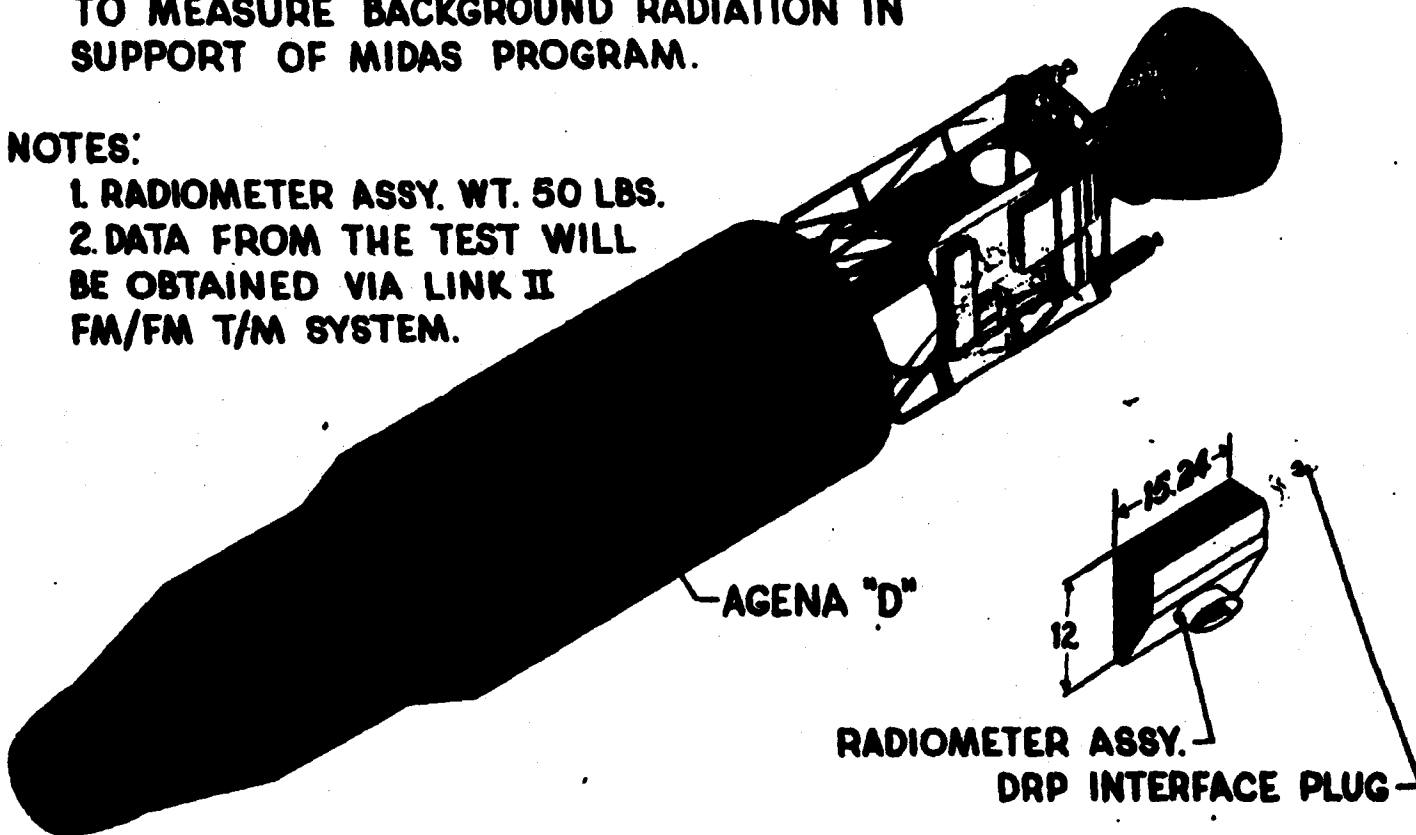
RADIOMETER TEST

OBJECTIVE:

TO MEASURE BACKGROUND RADIATION IN
SUPPORT OF MIDAS PROGRAM.

NOTES:

1. RADIOMETER ASSY. WT. 50 LBS.
2. DATA FROM THE TEST WILL
BE OBTAINED VIA LINK II
FM/FM T/M SYSTEM.



UNCLASSIFIED

UNCLASSIFIED

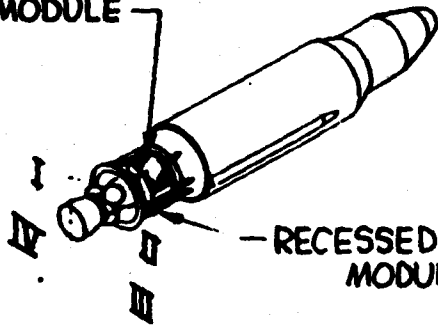
DISCOVERER RESEARCH PROGRAM

RECESSED & LARGE DOOR MODULES

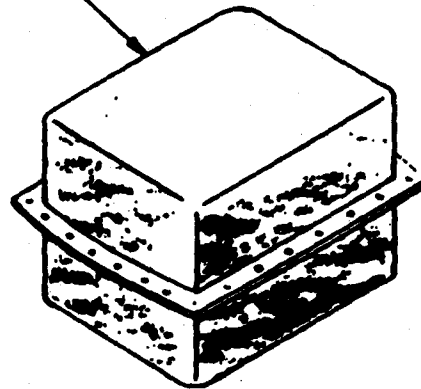
NOTES:

- TEST OBJECTIVES: TO PROVIDE A BASIC CAPABILITY FOR CONDUCTING SPACE ENVIRONMENT AND MATERIAL EXPERIMENTS
- MODULE WEIGHT
 1. LARGE DOOR WITH BASIC EQUIP. - 35 LBS
 RECESSED DOOR, VARIABLE
- ACTIVE LIFE OF MODULES - 4 DAYS
- BASIC EQUIP ON LARGE DOOR MODULE
 TAPE RECORDER
 PROGRAMMER
 TWO COMMUTATORS
 TIME REFERENCE GENERATOR
 D.C. POWER SUPPLY

LARGE DOOR MODULE



RECESSED DOOR MODULE

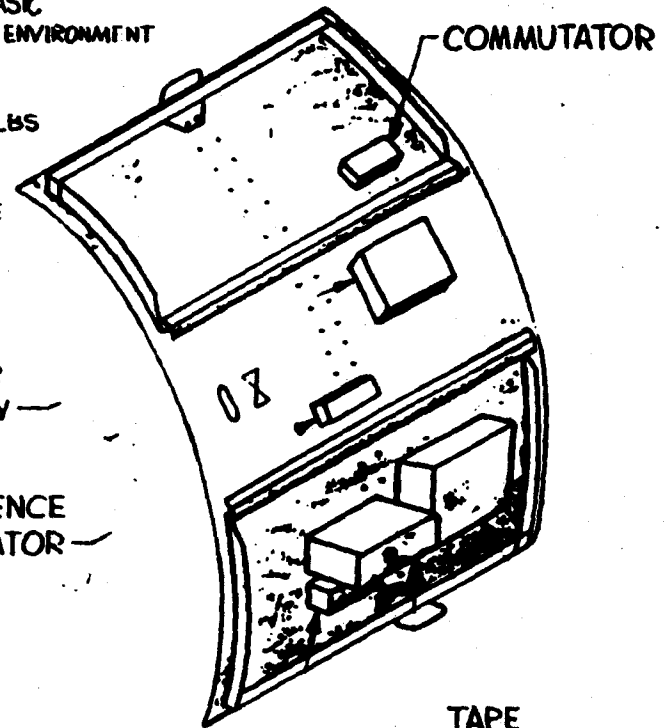


THOR INTERFACE

LARGE DOOR MODULE



RECESSED DOOR MODULE



COMMUTATOR

DC/DC POWER SUPPLY

TIME REFERENCE GENERATOR

TAPE RECORDER →

COMMUTATOR

PROGRAMMER

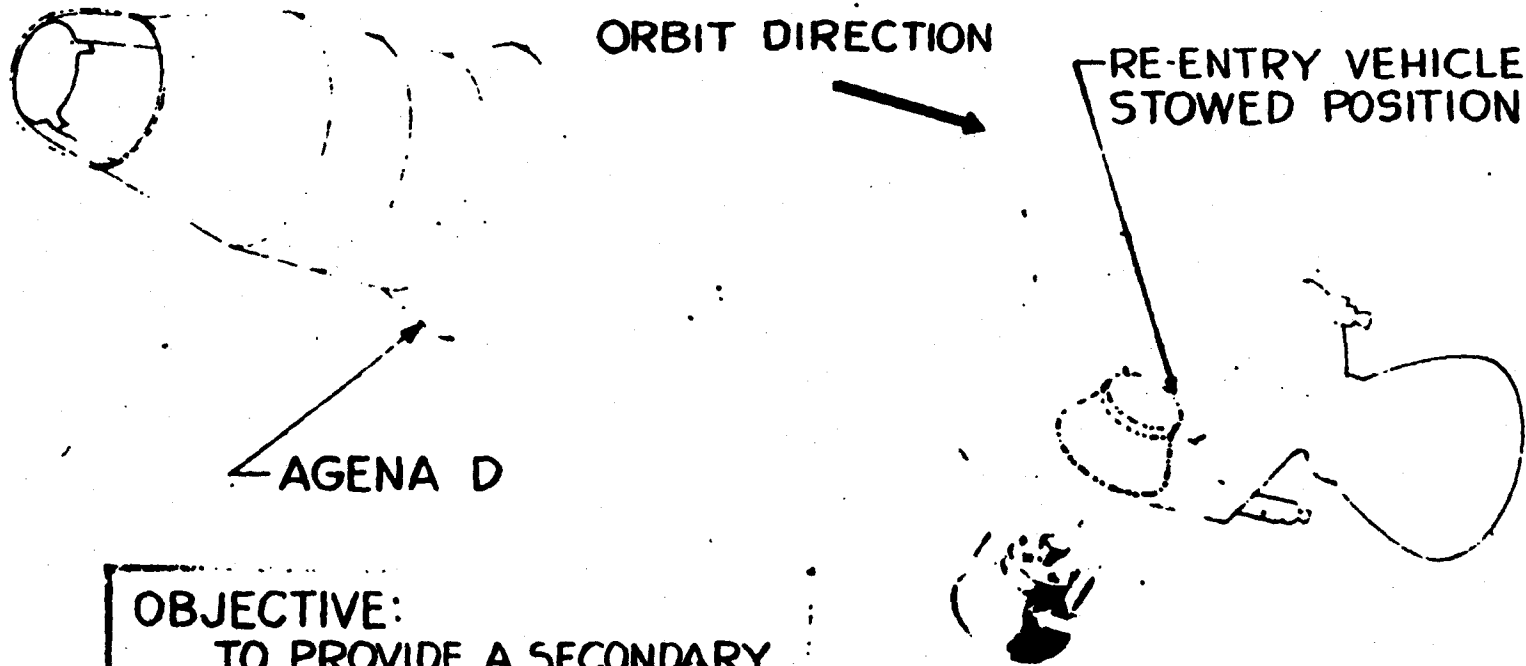
LARGE DOOR MODULE

UNCLASSIFIED

UNCLASSIFIED

DISCOVERER RESEARCH PROGRAM

RE-ENTRY RESEARCH VEHICLE

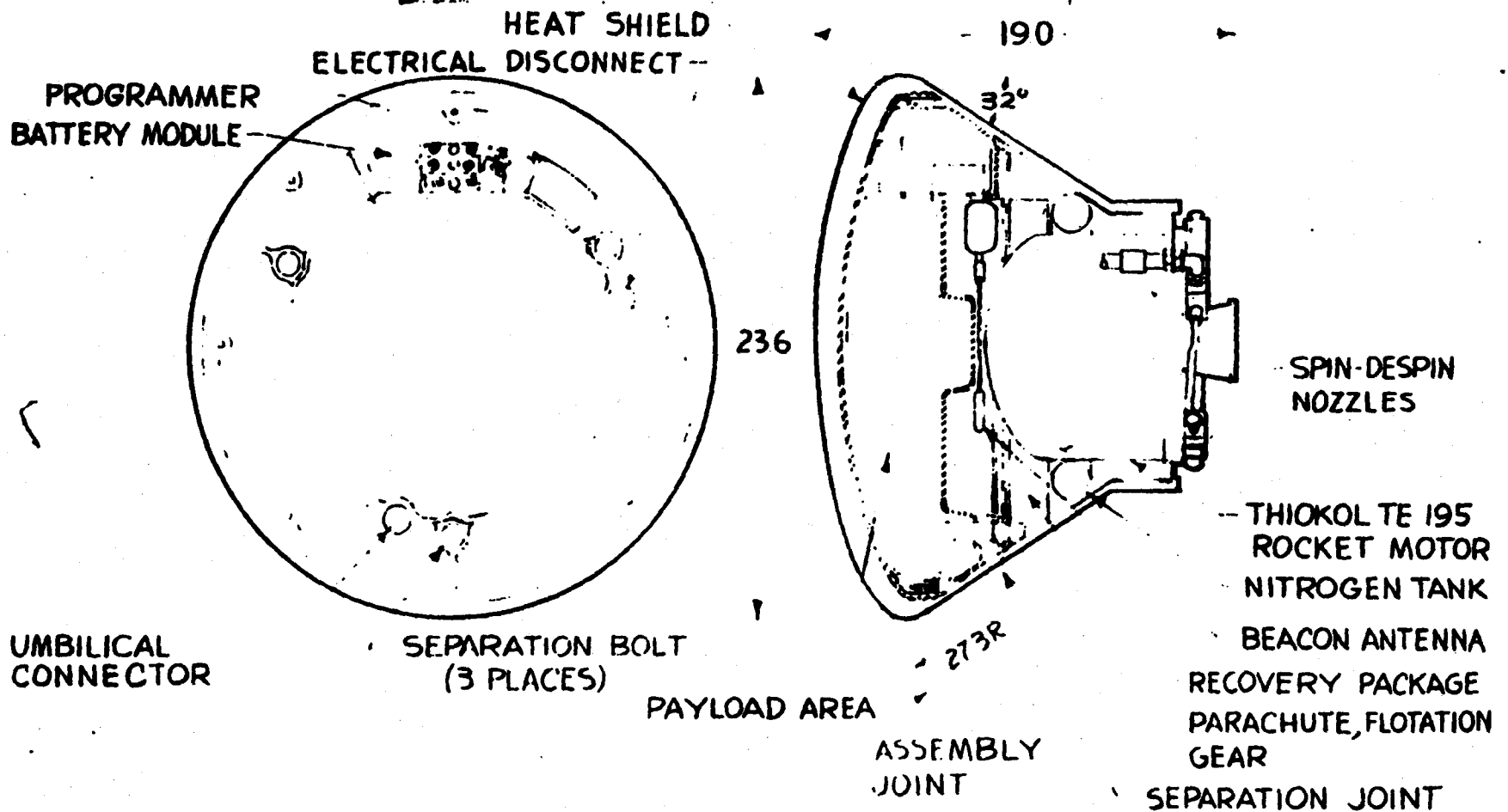


OBJECTIVE:
TO PROVIDE A SECONDARY
RE-ENTRY VEHICLE FOR
RESEARCH EXPERIMENTS

UNCLASSIFIED

DISCOVERER RESEARCH PROGRAM

RE-SEARCH RE-ENTRY VEHICLE



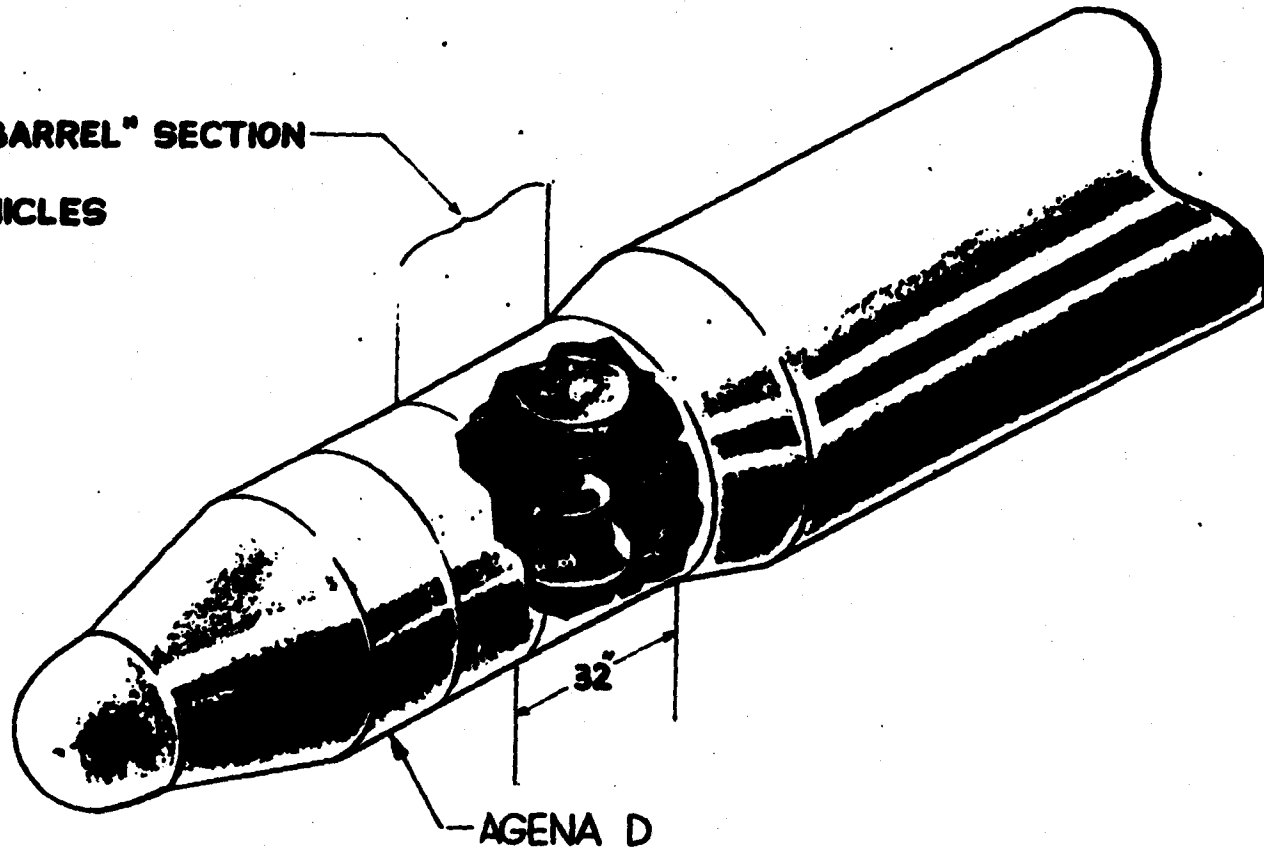
UNCLASSIFIED

UNCLASSIFIED

DISCOVERER RESEARCH PROGRAM

ALTERNATE STOWAGE CONCEPT OF REENTRY RESEARCH VEHICLES

ADDITIONAL "BARREL" SECTION
STOWS TWO
RE-ENTRY VEHICLES



P-467 'USC' 2-11-62
L.F.W.

UNCLASSIFIED

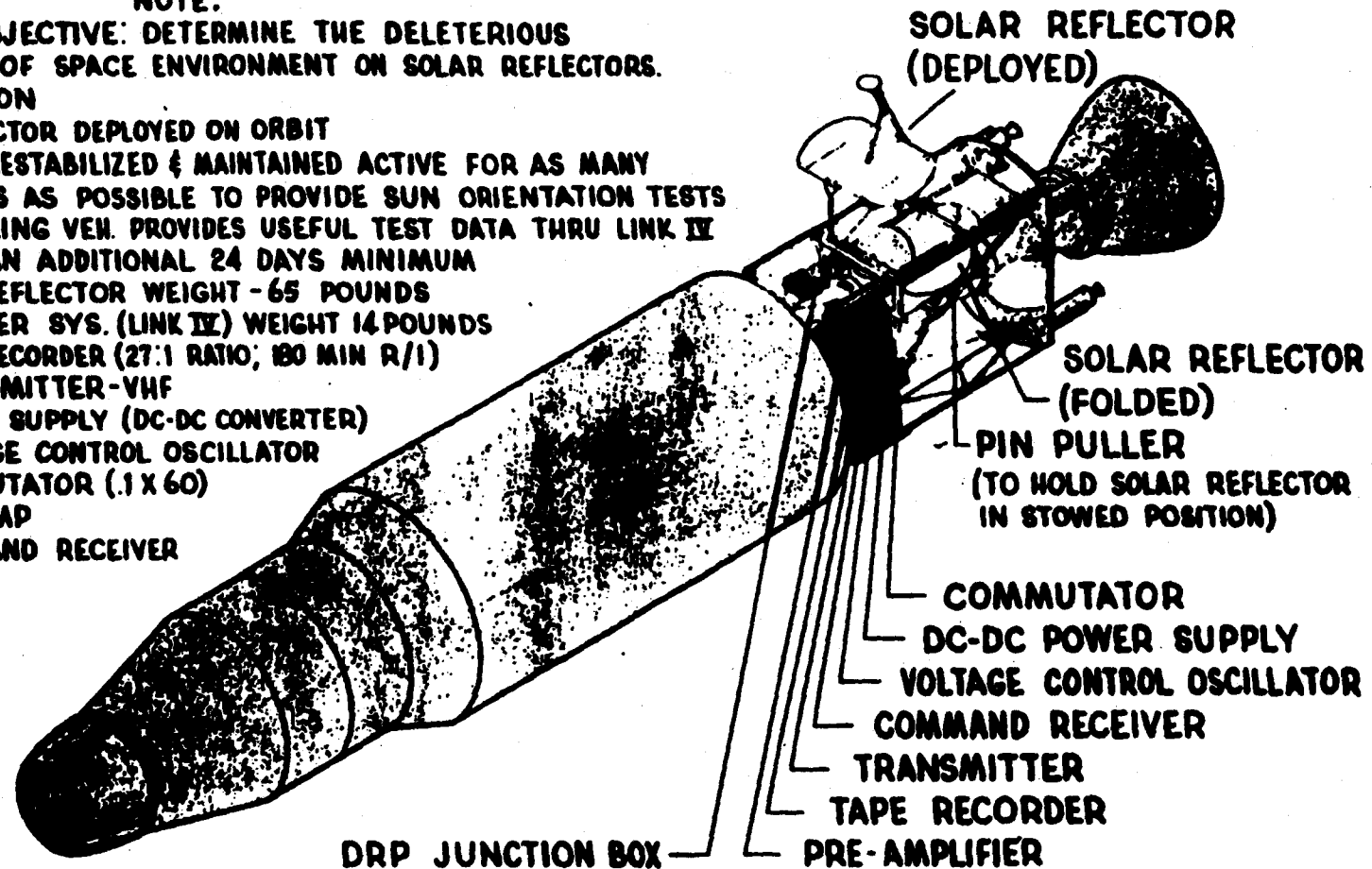
UNCLASSIFIED

SOLAR REFLECTOR SYSTEM INSTALLATION

DISCOVERER

NOTE:

1. TEST OBJECTIVE: DETERMINE THE DELETERIOUS EFFECTS OF SPACE ENVIRONMENT ON SOLAR REFLECTORS.
2. OPERATION
 - A. REFLECTOR DEPLOYED ON ORBIT
 - B. VEH. RESTABILIZED & MAINTAINED ACTIVE FOR AS MANY ORBITS AS POSSIBLE TO PROVIDE SUN ORIENTATION TESTS
 - C. TUMBLING VEH. PROVIDES USEFUL TEST DATA THRU LINK IV FOR AN ADDITIONAL 24 DAYS MINIMUM
3. SOLAR REFLECTOR WEIGHT - 65 POUNDS
4. TELEMETER SYS. (LINK IV) WEIGHT 14 POUNDS
 - A. TAPE RECORDER (27:1 RATIO; 180 MIN R/I)
 - B. TRANSMITTER-VHF
 - C. POWER SUPPLY (DC-DC CONVERTER)
 - D. VOLTAGE CONTROL OSCILLATOR
 - E. COMMUTATOR (.1 X 60)
 - F. PRE-AMP
 - G. COMMAND RECEIVER

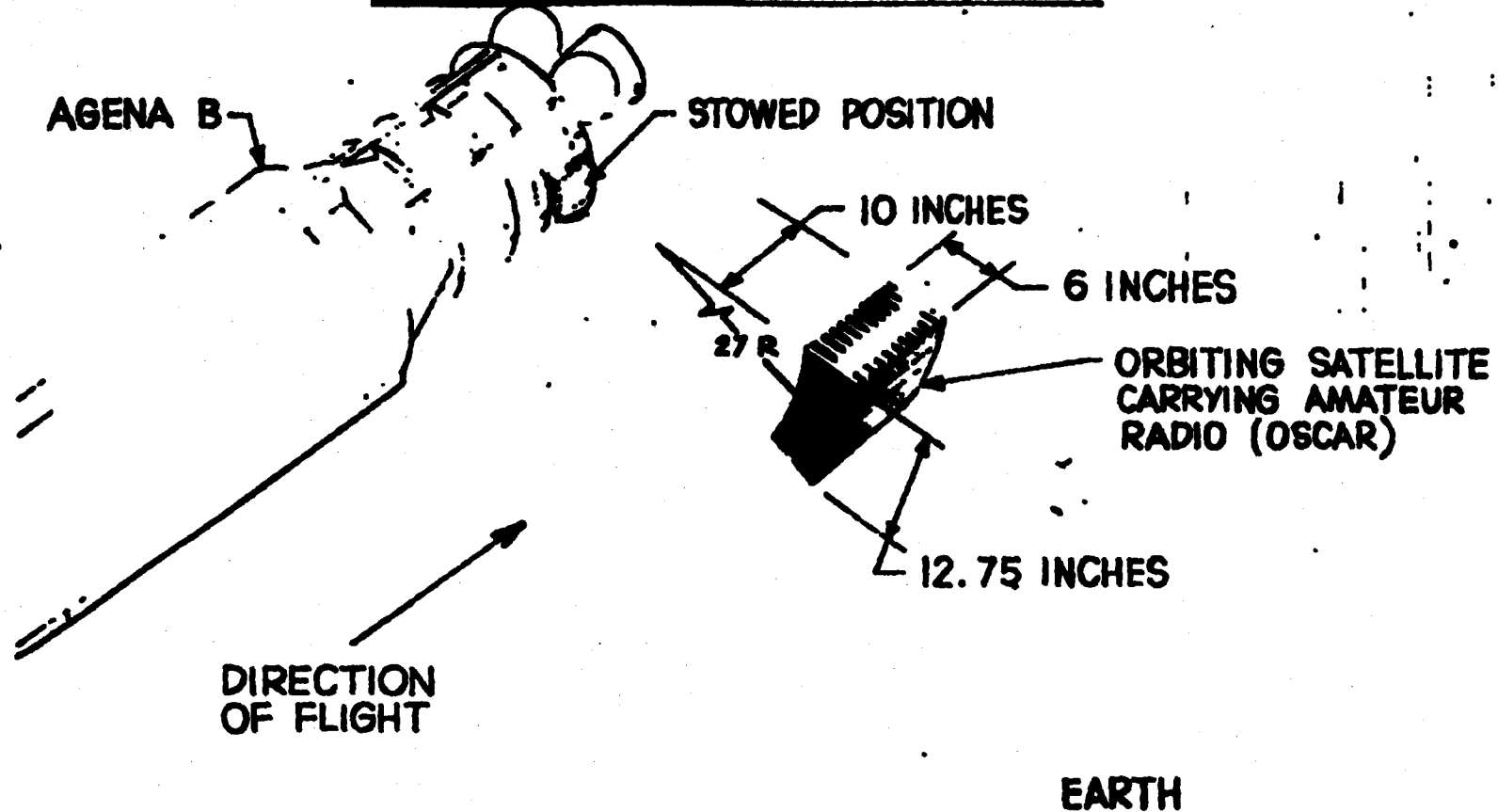


UNCLASSIFIED

UNCLASSIFIED

DISCOVERER RESEARCH PROGRAM

EJECTION OF COMMUNICATION PACKAGE



7-6000 215 2-0 10
1951

UNCLASSIFIED

UNCLASSIFIED

DISCOVERER RESEARCH PROGRAM

PROPOSED GEOPHYSICAL EXPERIMENTS

FTV NUMBER	1124	1125	1126	1132	1127	1128	1134	1129	1130	1131	1133	1135	1136
DOOR NUMBER	112	113	114	115	116	117	118	119	120	121	122	123	124
1 EROISON DETECTOR													
2 IMPEDANCE PROBE 1A													
1 TEMP. COMMUTATOR													
2 COSMIC RAY MON. 7B													
1 DENSITY GAGE MOD 3A													
1 RADIOMETER, MODEL 4													
1 RADIOMETER, MODEL 5													
1 CHARGED PARTICLE ENERGY													
1 COSMIC RAY MONITOR 8B													
2 GALACTIC RF MON, 3													
1 ELECTRON DENSITY GAGE 2C													
3 ULTRA VIOLET RADIOMETER													
2 GALACTIC RF MON 2													
1 RETARD POTENT. ANALYZER													
1 ION TRAP													
1 BETA-GAMMA DETECTOR													
1 TISSUE EQUIVALENT CHAMBER													
2 IMPEDANCE PROBE 2													
1 MAGNETOMETER													
2 20/40 TRANSMITTER													
1 NEUTRON DETECTOR 3													
1 MASS SPECTROMETER													
1 RADIOMETER, MODEL 6													
1 MICKOMETEORITE DETECTOR, GRIV-ACOUSTIC													

VELA
HOTEL

1 EXPERIMENT MOUNTED ON ERECTABLE BOOM TWO TAPE ANTENNAE REQUIRED SENSORS FACING EARTH
SENSOR FACING /EN1111

V 6462 015C 2/10/62

UNCLASSIFIED

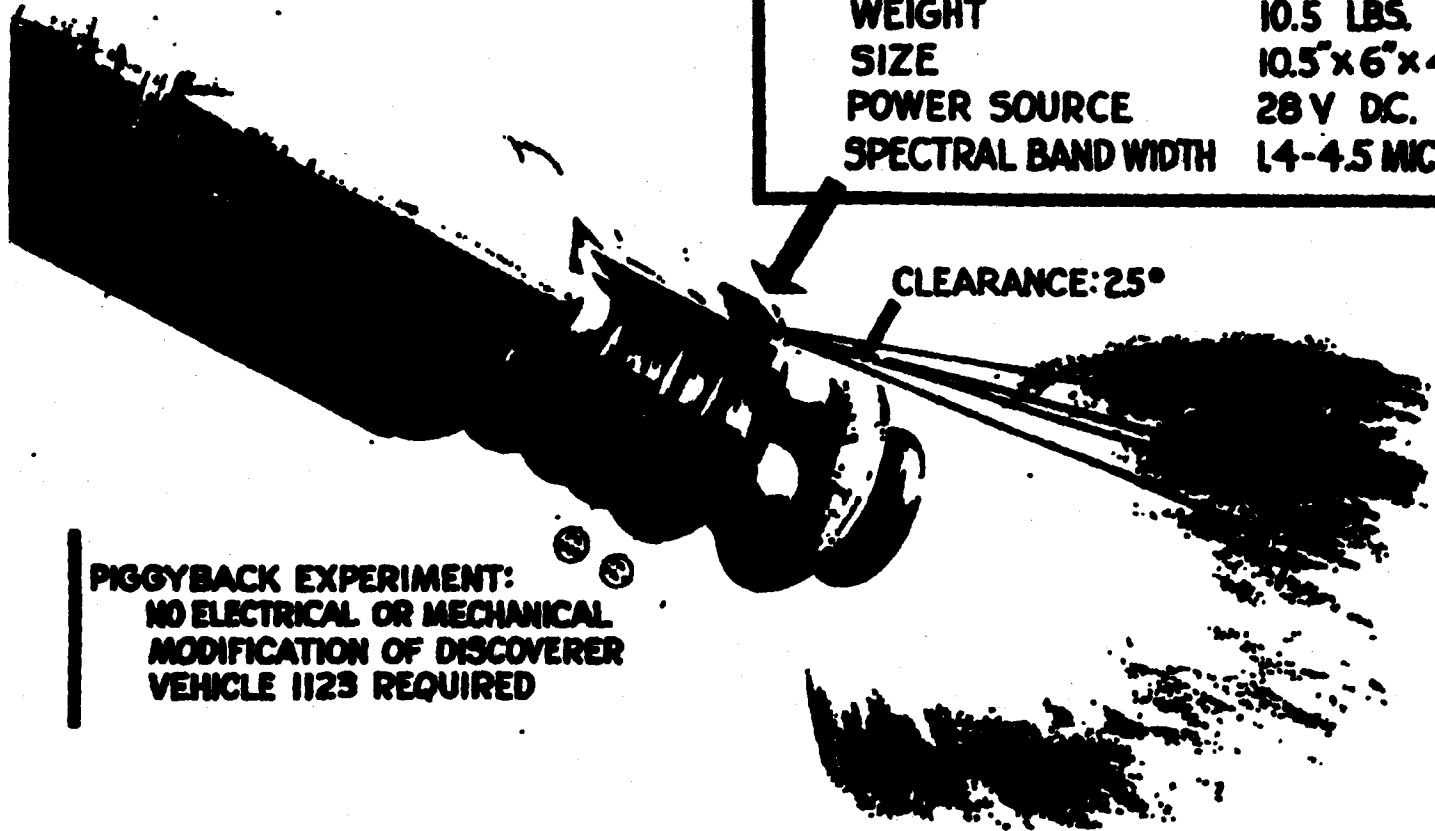
UNCLASSIFIED

DISCOVERER RESEARCH PROGRAM

MIDAS PLUME

SPECTROMETER CHARACTERISTICS:

WEIGHT	10.5 LBS.
SIZE	10.5" x 6" x 4.6"
POWER SOURCE	28 V DC.
SPECTRAL BAND WIDTH	1.4-4.5 MICRONS



**PIGGYBACK EXPERIMENT:
NO ELECTRICAL OR MECHANICAL
MODIFICATION OF DISCOVERER
VEHICLE 1123 REQUIRED**

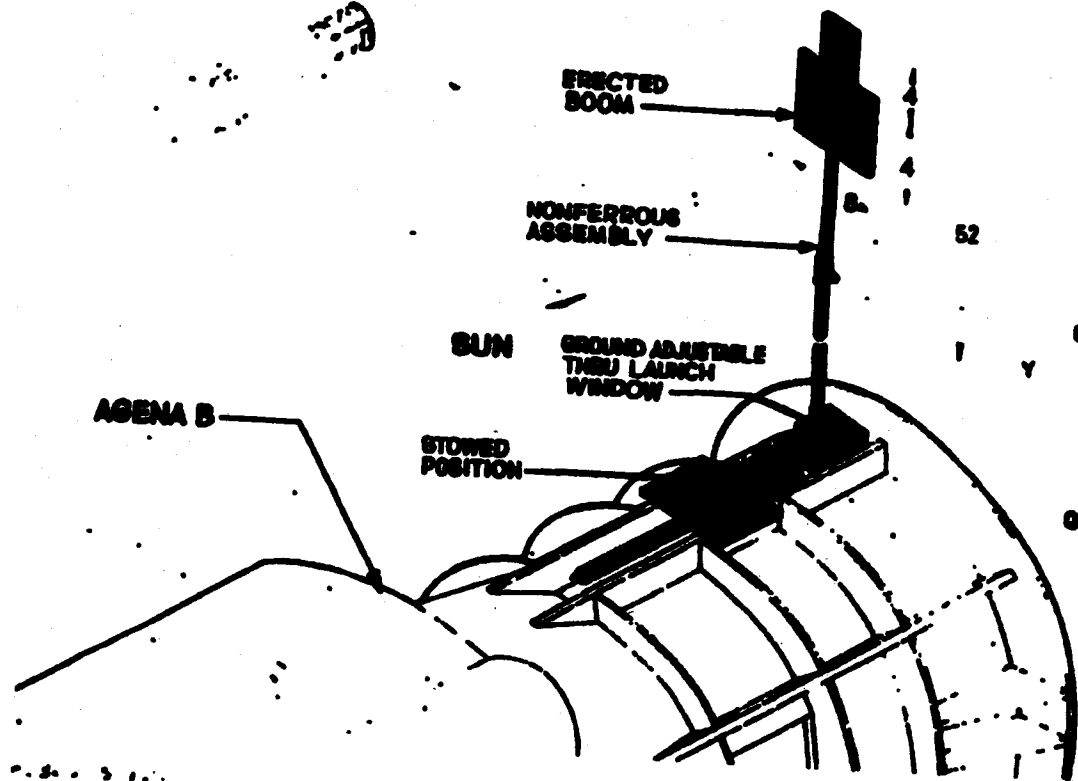
P 1123

UNCLASSIFIED

UNCLASSIFIED

DISCOVERER RESEARCH PROGRAM

THERMOELECTRIC BOOM



- NOTES
- 1 TEST OBJECTIVE DETERMINE THE OPERATING CHARACTERISTICS OF A THERMOELECTRIC GENERATOR IN SPACE ENVIRONMENT
 - 2 OPERATION
 - A THERMOELECTRIC GENERATOR ERCTED IN PLACE AFTER VEHICLE PLACED IN ORBIT
 - B ACTIVE LIFE OF THERMAL ELECTRIC GENERATOR SYSTEM 4 DAYS
 - C THERMAL ELECTRIC BOOM WEIGHT 60 LBS
 - 4 TELEMETRY SYS LINK II (WEIGHT 26 LBS)
 - A TAPE RECORDER
 - B COMMUTATOR
 - C TDS BOX
 - D SEP SWITCH BOX
 - E SEP JUNCTION BOX

QUAD I QUAD IV

QUAD II QUAD III

DIRECTION OF FLIGHT

U.S. AIR FORCE

UNCLASSIFIED

DISCOVERER RESEARCH PROGRAM

HORIZON SENSOR EXPERIMENT

OBJECTIVES:

TO EVALUATE THE PERFORMANCE
OF A HORIZON SENSOR FOR
CONTROL OF VEHICLE ORIENTATION

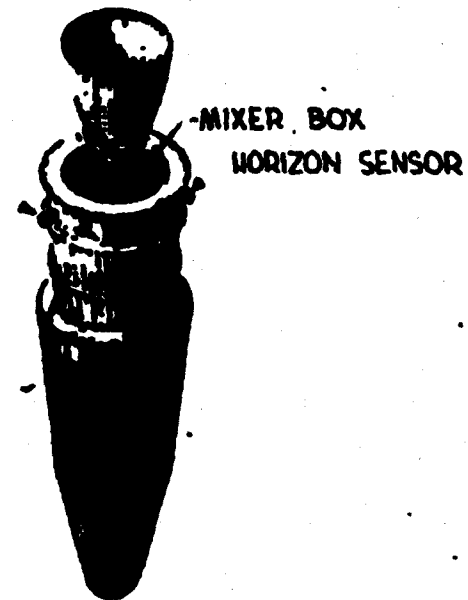
EQUIPMENT:

2 HORIZON SCANNERS
1 MIXER BOX
1 PRE-AMP BOX
TOTAL EQUIP. WT. 13.5 LBS.

TELEMETRY:

7 INSTRUMENTATION POINTS WITH 2 ON CONT C11
REAL TIME DATA VIA LINK II T/M
POWER REQUIREMENTS, 12 WATTS

HORIZON SENSOR



1-6460 NK 3-10-62
CPS 1

UNCLASSIFIED

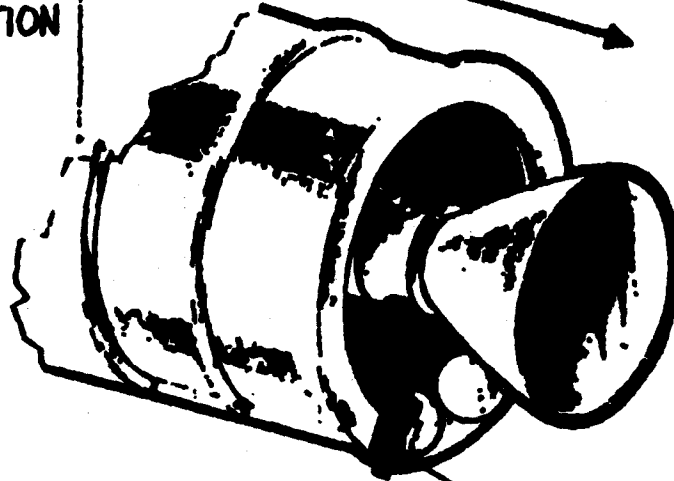
UNCLASSIFIED

DISCOVERER RESEARCH PROGRAM

ULTRA VIOLET RADIOMETER EXPERIMENT

OBJECTIVE:
TO DETERMINE THE
OZONE DISTRIBUTION
AS A FUNCTION
OF ALTITUDE

DIRECTION OF FLIGHT



COMMUNICATIONS:
• 4 INSTRUMENTATION POINTS
• REAL TIME DATA VIA
LINK II T/M
• RECORDED DATA ON
DUAL TRACK 180 MIN.
TAPE RECORDER
(27:1 RATIO).

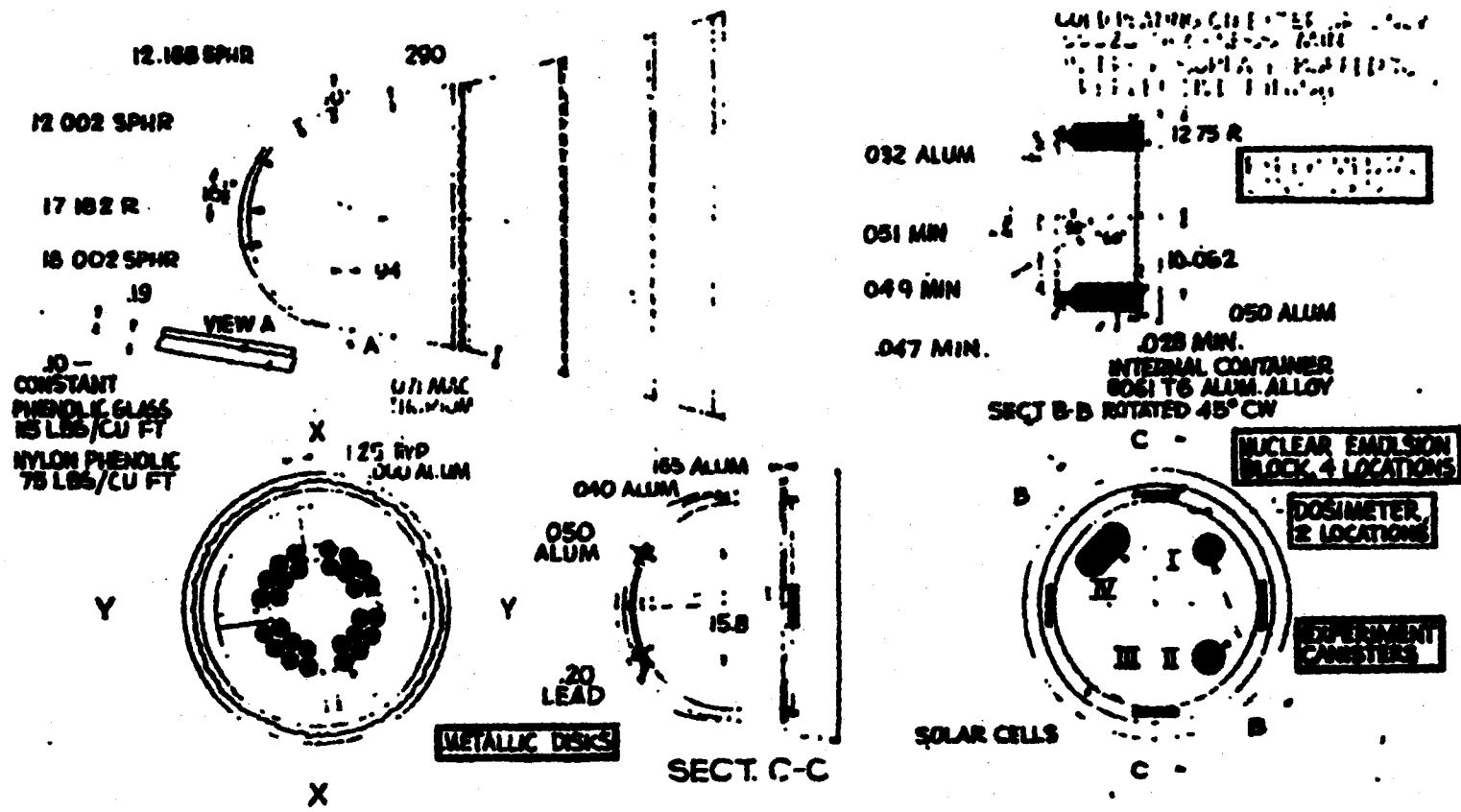
AGENA B

UV RADIOMETER

UNCLASSIFIED

UNCLASSIFIED

DISCOVERER RECOVERY CAPSULE



UNCLASSIFIED

H-6088 "998" 12/6/61
24-6-1

UNCLASSIFIED

DISCOVERER RESEARCH PROGRAM

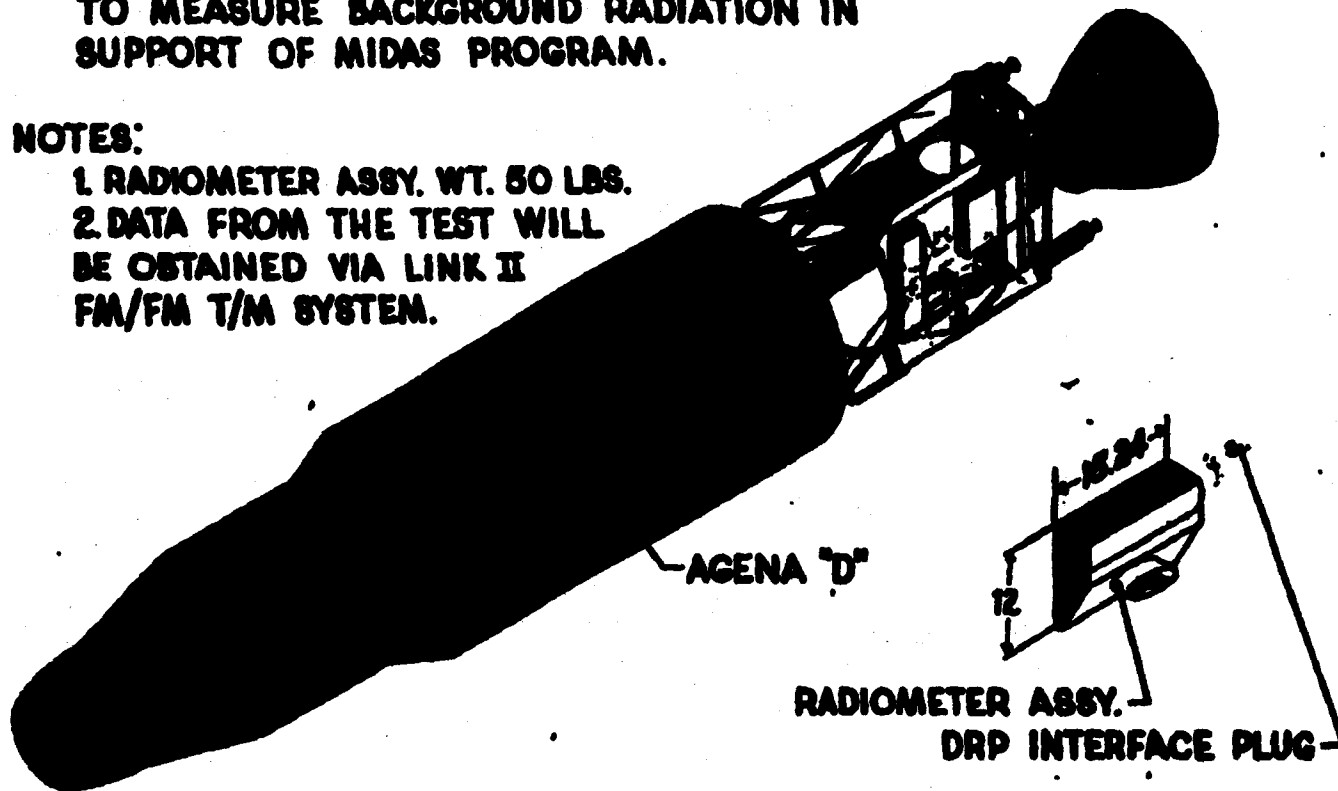
RADIOMETER TEST

OBJECTIVE:

TO MEASURE BACKGROUND RADIATION IN
SUPPORT OF MIDAS PROGRAM.

NOTES:

1. RADIOMETER ASSY. WT. 50 LBS.
2. DATA FROM THE TEST WILL
BE OBTAINED VIA LINK II
FM/FM T/M SYSTEM.



UNCLASSIFIED

UNCLASSIFIED

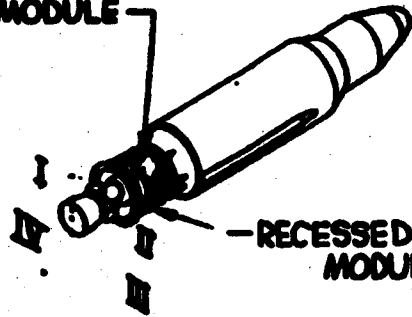
COVERER RESEARCH PROGRAM

RECESSED & LARGE DOOR MODULES

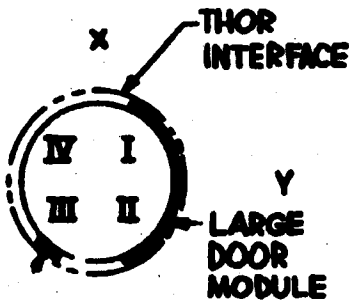
NOTES:

- TEST OBJECTIVES: TO PROVIDE A BASIC CAPABILITY FOR CONDUCTING SPACE ENVIRONMENT AND MATERIAL EXPERIMENTS
- MODULE WEIGHT
LARGE DOOR WITH BASIC EQUIP. - 95 LBS
RECESSED DOOR, VARIABLE
- ACTIVE LIFE OF MODULES - 4 DAYS
- BASIC EQUIP ON LARGE DOOR MODULE
TAPE RECORDER
PROGRAMMER
TWO COMMUTATORS
TIME REFERENCE GENERATOR
D. D. P. AER 5/14/64

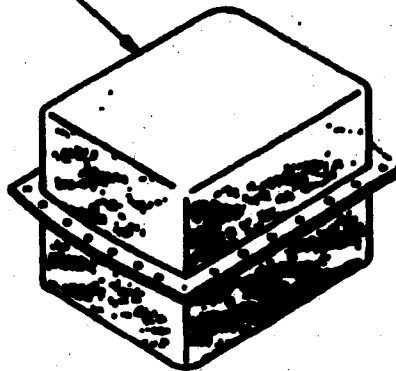
LARGE DOOR MODULE



RECESSED DOOR MODULE

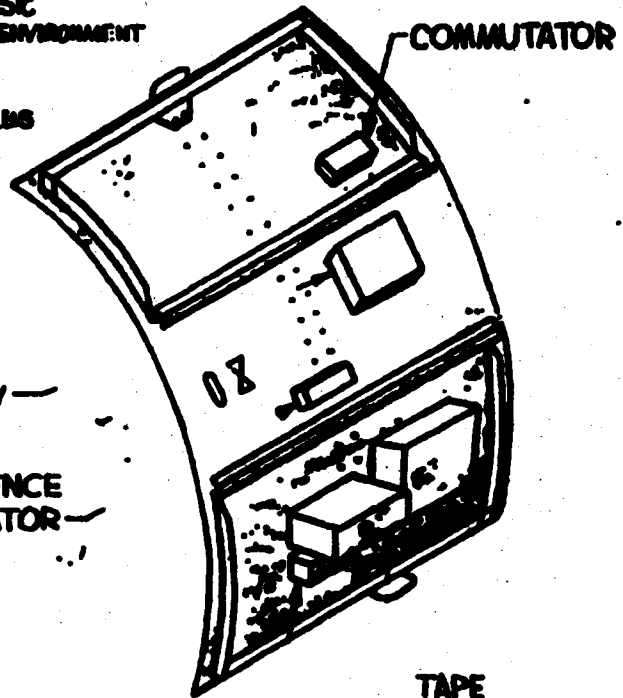


RECESSED DOOR MODULE



DC/DC POWER SUPPLY

TIME REFERENCE GENERATOR



TAPE RECORDER →

COMMUTATOR

PROGRAMMER

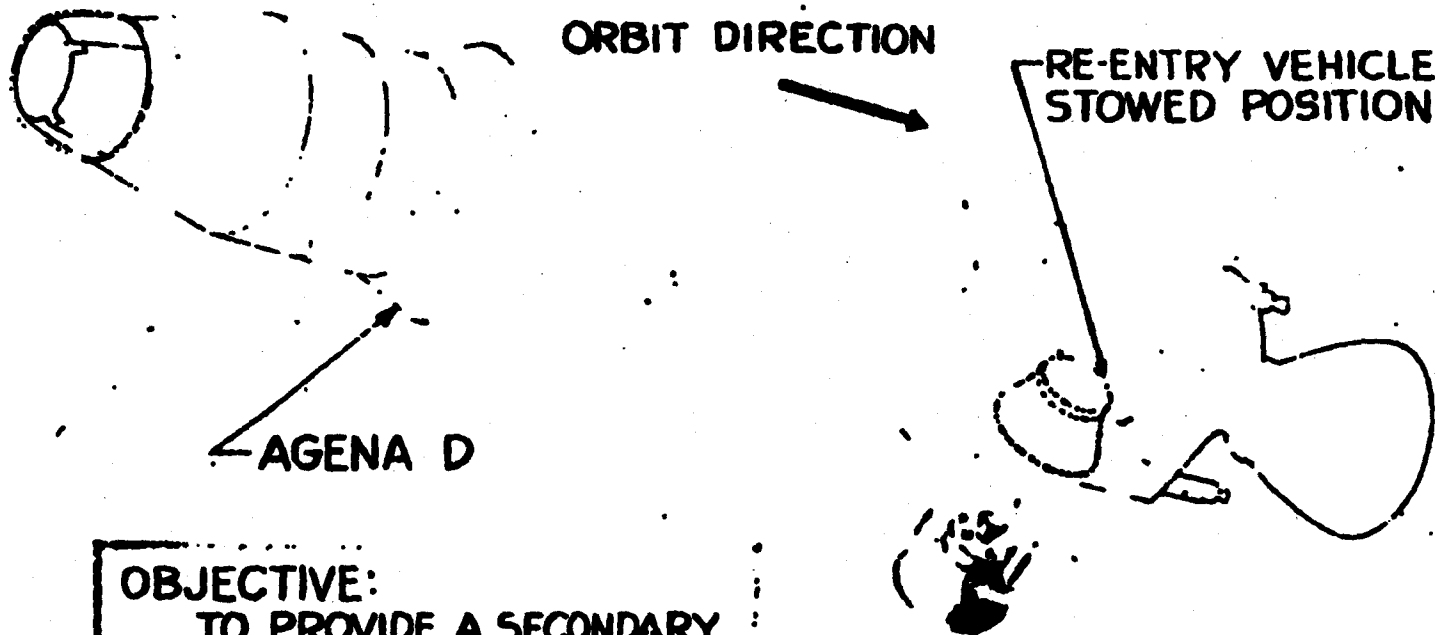
LARGE DOOR MODULE

UNCLASSIFIED

UNCLASSIFIED

DISCOVERER RESEARCH PROGRAM

RE-ENTRY RESEARCH VEHICLE



AGENA D

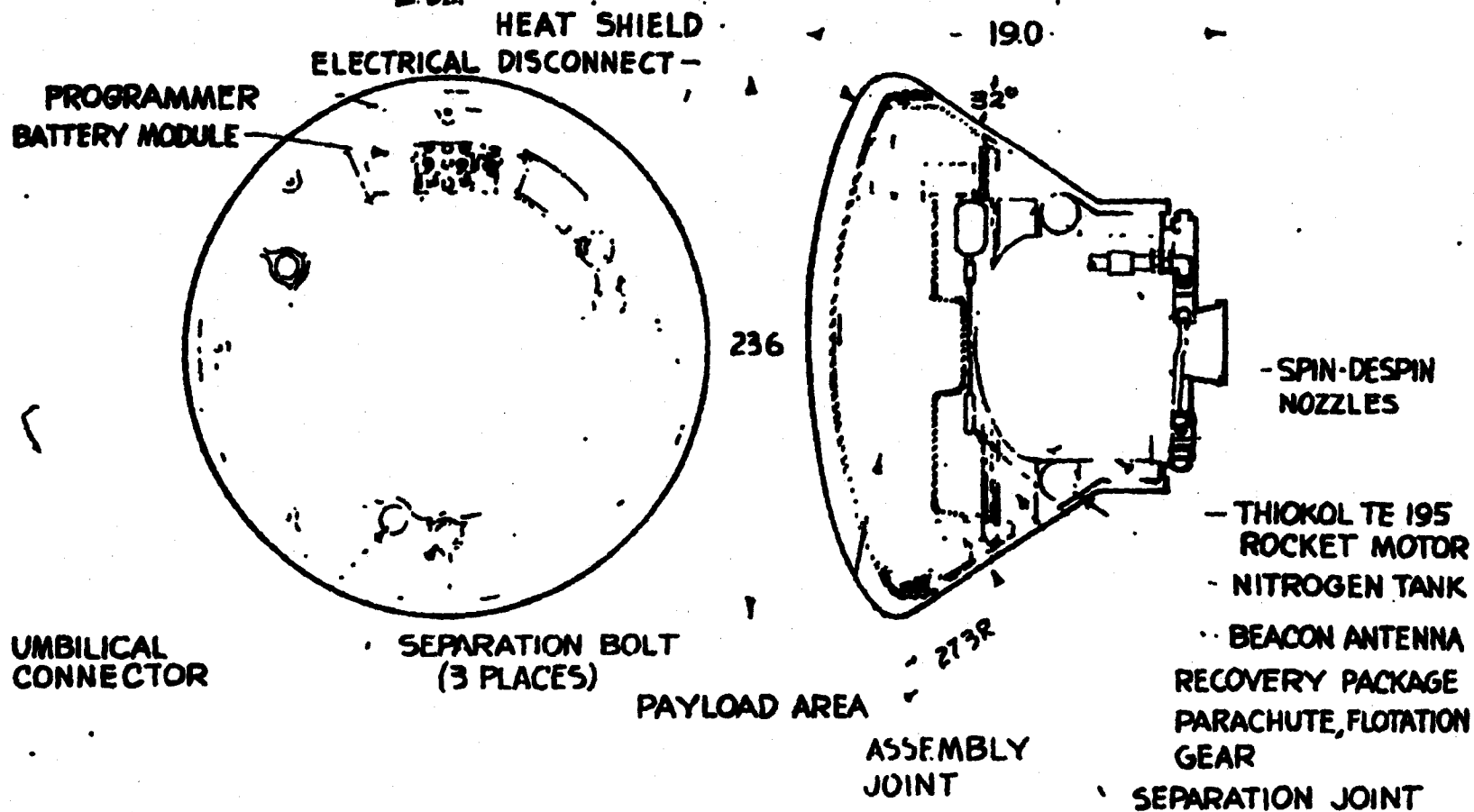
RE-ENTRY VEHICLE
STOWED POSITION

OBJECTIVE:
TO PROVIDE A SECONDARY
RE-ENTRY VEHICLE FOR
RESEARCH EXPERIMENTS

UNCLASSIFIED

DISCOVERER RESEARCH PROGRAM

RE-SEARCH RE-ENTRY VEHICLE



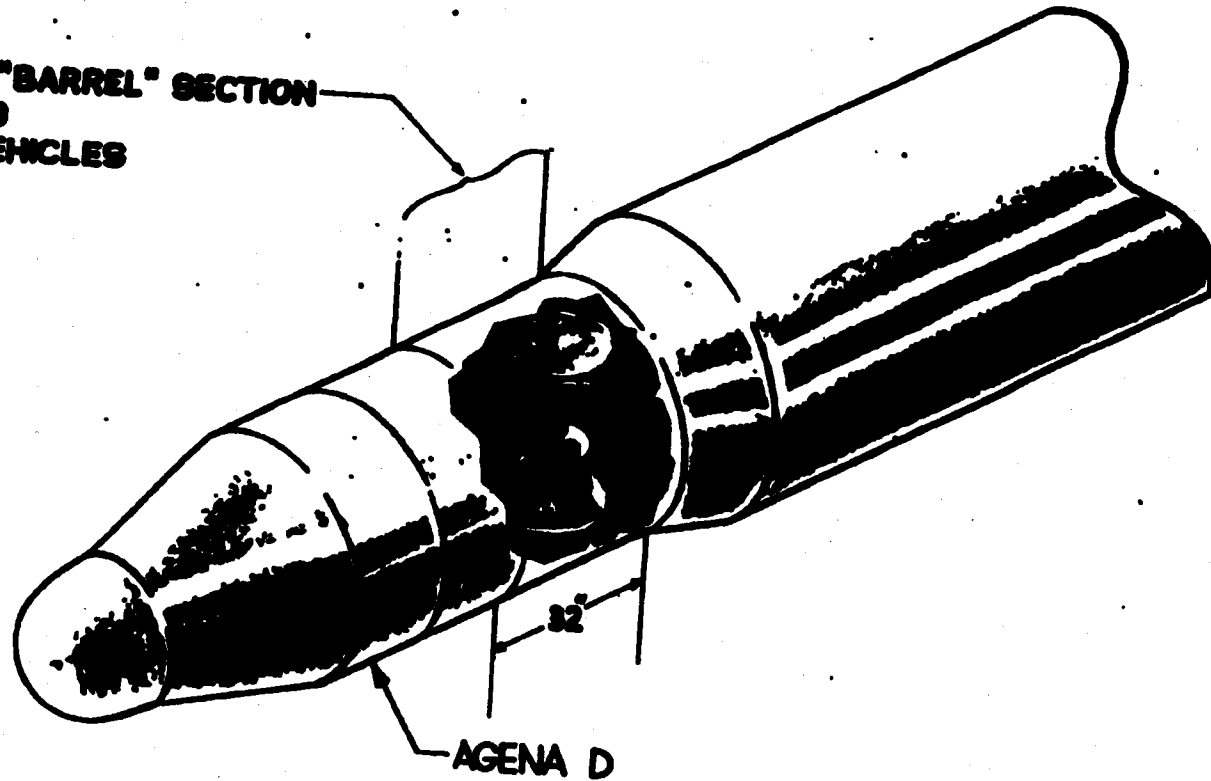
UNCLASSIFIED

UNCLASSIFIED

COVERER RESEARCH PROGRAM

ALTERNATE STORAGE CONCEPT OF REENTRY RESEARCH VEHICLES

ADDITIONAL "BARREL" SECTION
STOWS TWO
RE-ENTRY VEHICLES



P-467 235 2-4-62
4834

UNCLASSIFIED

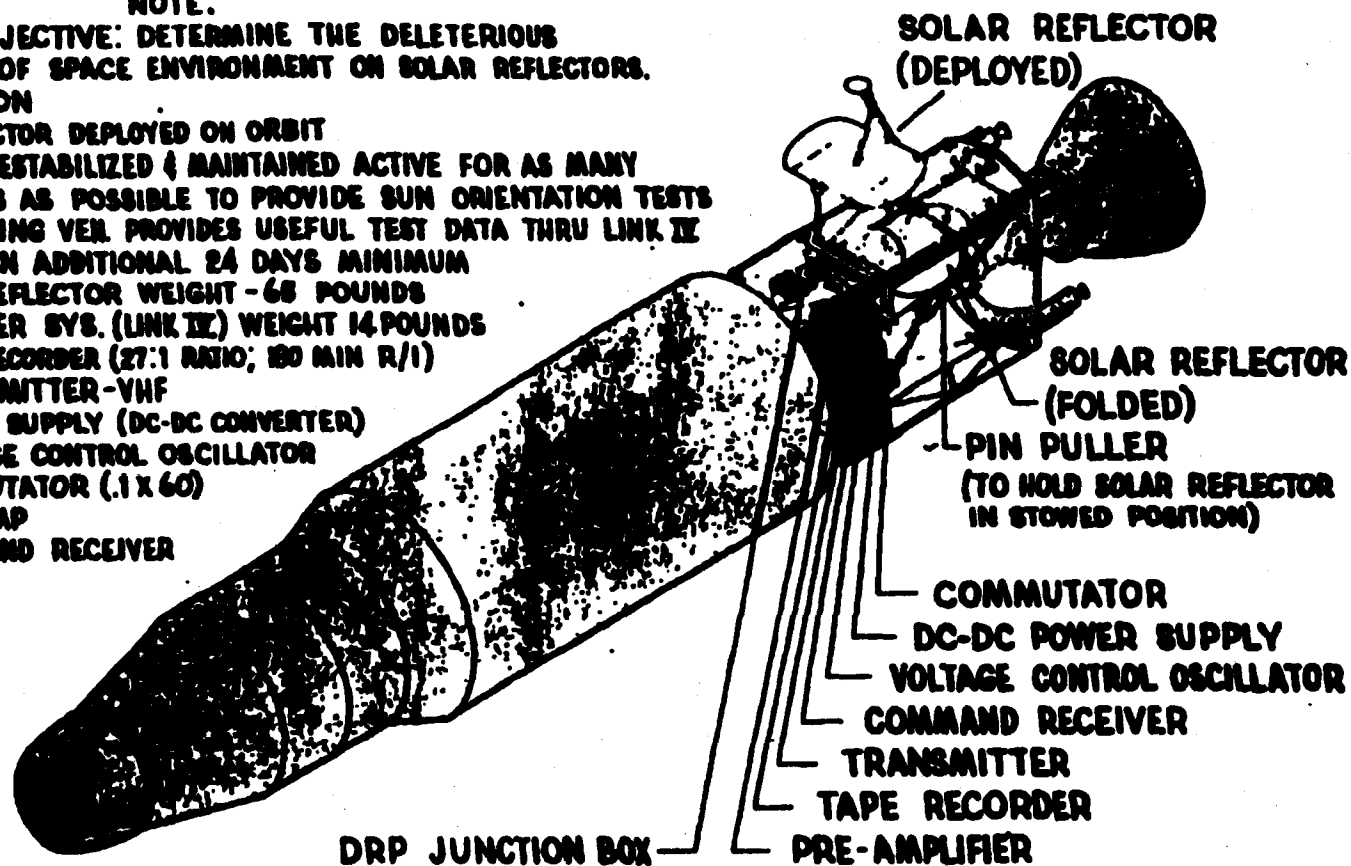
UNCLASSIFIED

SOLAR REFLECTOR SYSTEM INSTALLATION

DISCOVERER

NOTE:

1. TEST OBJECTIVE: DETERMINE THE DELETERIOUS EFFECTS OF SPACE ENVIRONMENT ON SOLAR REFLECTORS.
2. OPERATION
 - A. REFLECTOR DEPLOYED ON ORBIT
 - B. VEH. RESTABILIZED & MAINTAINED ACTIVE FOR AS MANY ORBITS AS POSSIBLE TO PROVIDE SUN ORIENTATION TESTS
 - C. TUMBLING VEH. PROVIDES USEFUL TEST DATA THRU LINK II FOR AN ADDITIONAL 24 DAYS MINIMUM
3. SOLAR REFLECTOR WEIGHT - 68 POUNDS
4. TELEMETER SYS. (LINK II) WEIGHT 14 POUNDS
 - A. TAPE RECORDER (27:1 RATIO; 180 MIN R/I)
 - B. TRANSMITTER - VHF
 - C. POWER SUPPLY (DC-DC CONVERTER)
 - D. VOLTAGE CONTROL OSCILLATOR
 - E. COMMUTATOR (.1 X 60)
 - F. PRE-AMP
 - G. COMMAND RECEIVER



UNCLASSIFIED