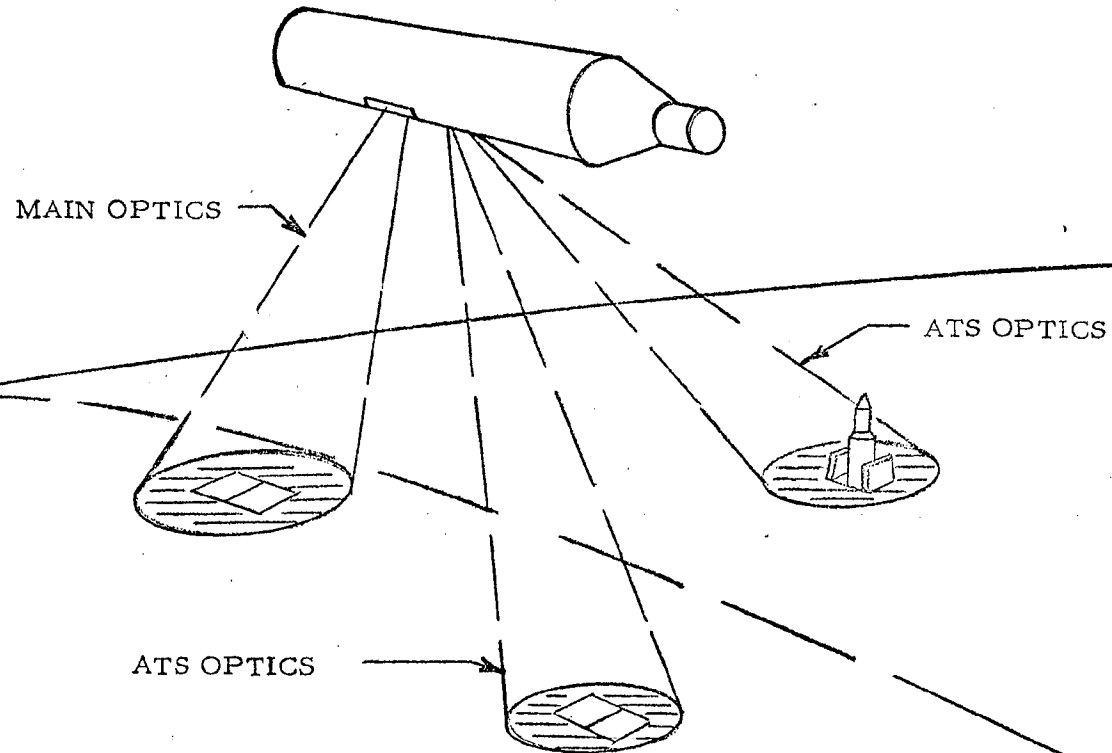


~~SECRET~~ SPECIAL HANDLING

WHS-056

10

CONCEPT OF MANNED EXAMINATION FOR ACTIVE INDICATORS



- IF EITHER ALTERNATE HAS ACTIVE INDICATORS, TAKE IT

~~SECRET~~ SPECIAL HANDLING

10
Rev 8/11

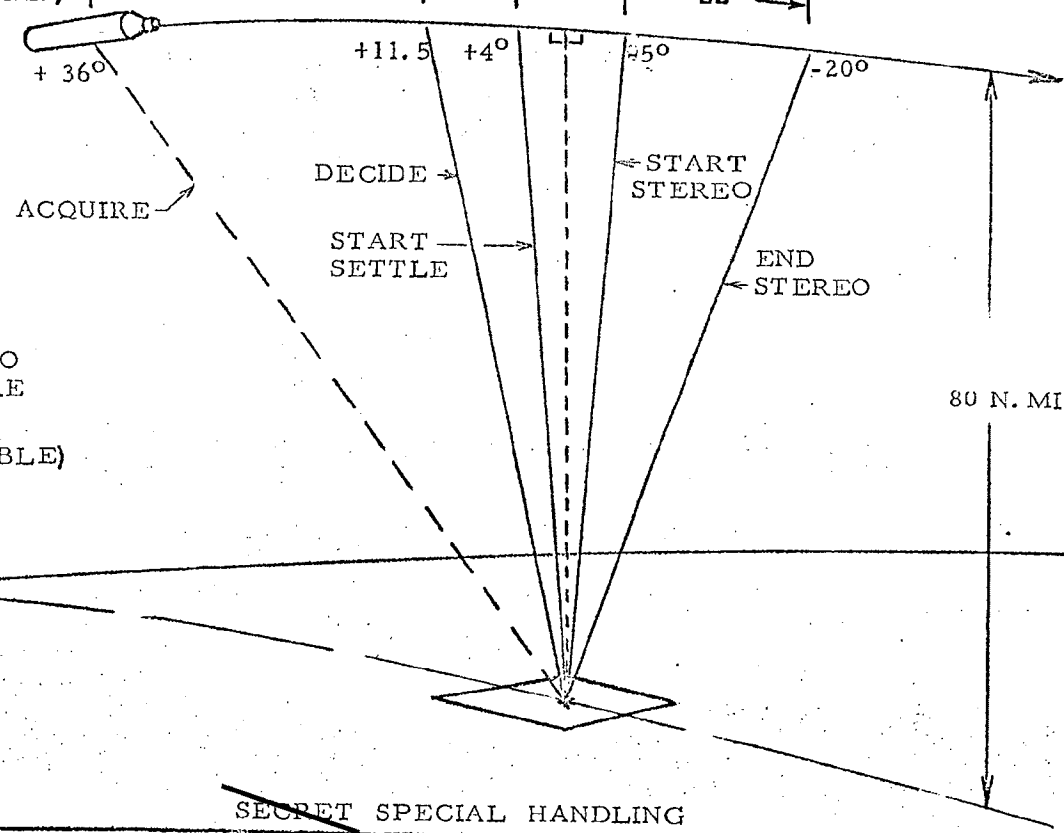
1120
47

~~SECRET~~ SPECIAL HANDLING

WHS-056

ACTIVE INDICATOR EXAMINATION AND SPECIAL PHOTOGRAPHY SEQUENCE

TIMES (SEC.)	10	2.5	3	5.2
DISTANCE (N. MI.)	42	10.5	12.5	22



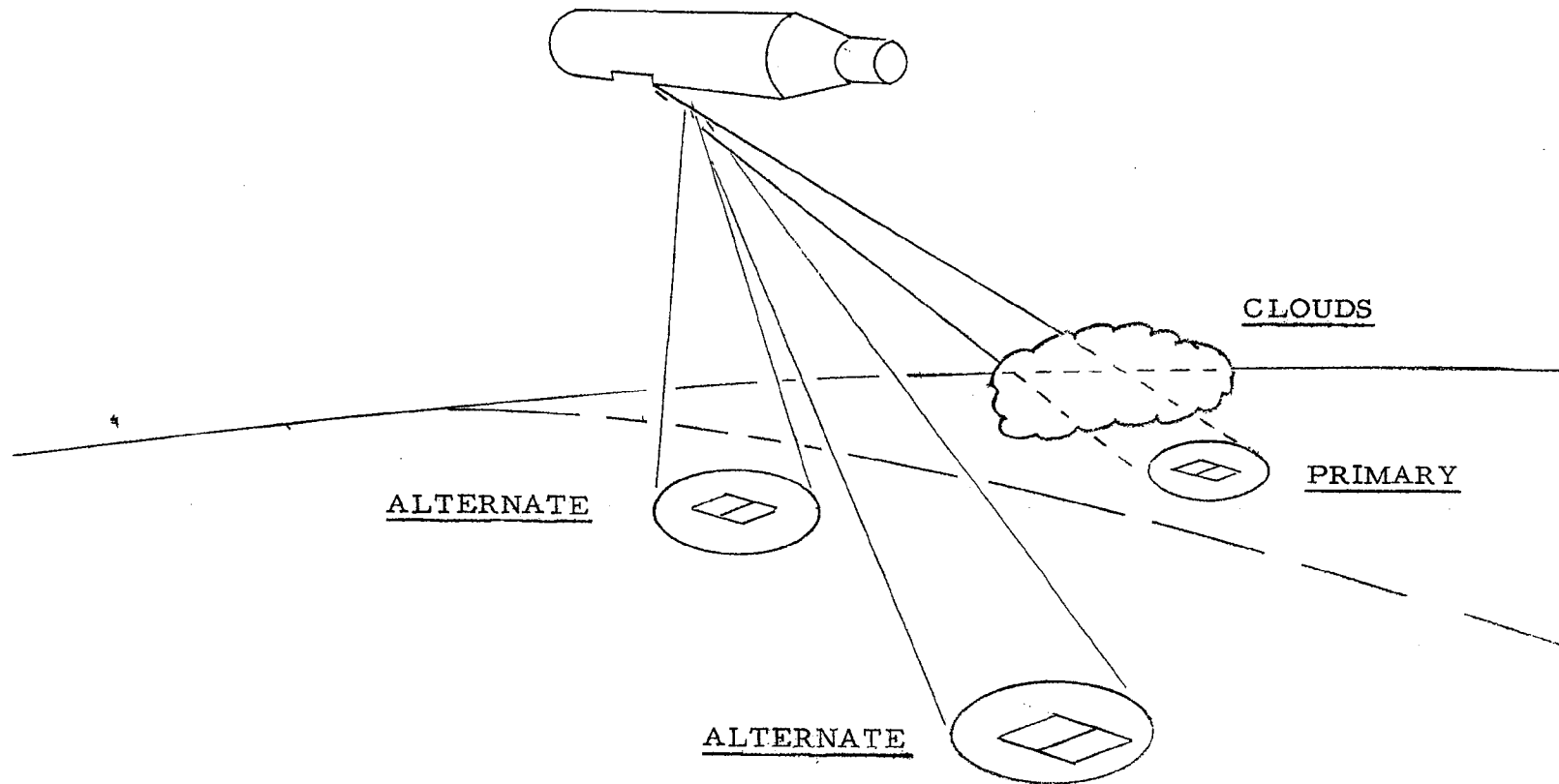
NOTE
 *WORST CASE - STEREO
 CAN START ANYWHERE
 FROM +20° TO -5°
 (+20° TO -20° AVAILABLE)

~~SECRET~~ SPECIAL HANDLING

~~SECRET~~ SPECIAL HANDLING

WHS-056
Page 18

WEATHER AVOIDANCE



- IF PRIMARY COVERED AND ALTERNATE CLEAR, SWITCH TO ALTERNATE

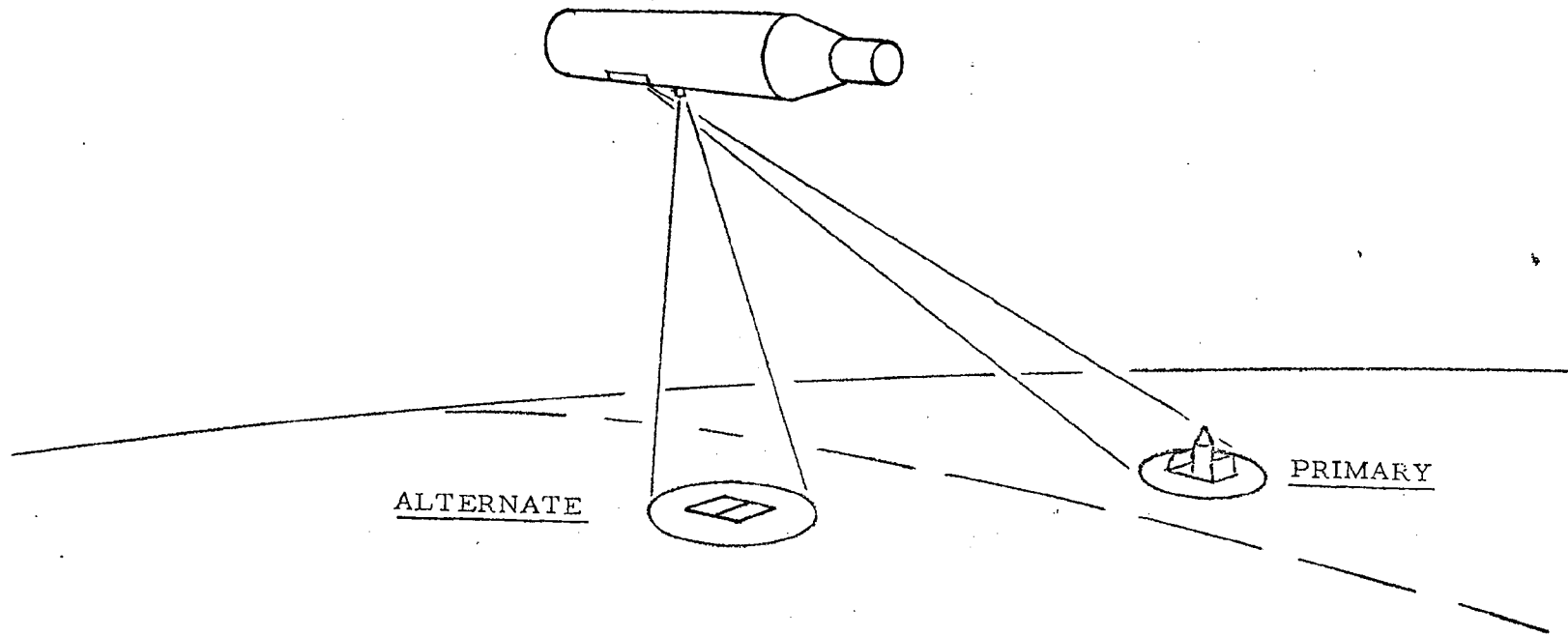
~~SECRET~~ SPECIAL HANDLING

17 18

~~SECRET~~ SPECIAL HANDLING

WHS-056
18

WEATHER AVOIDANCE



● IF PRIMARY COVERED AND ALTERNATE CLEAR, SWITCH TO ALTERNATE

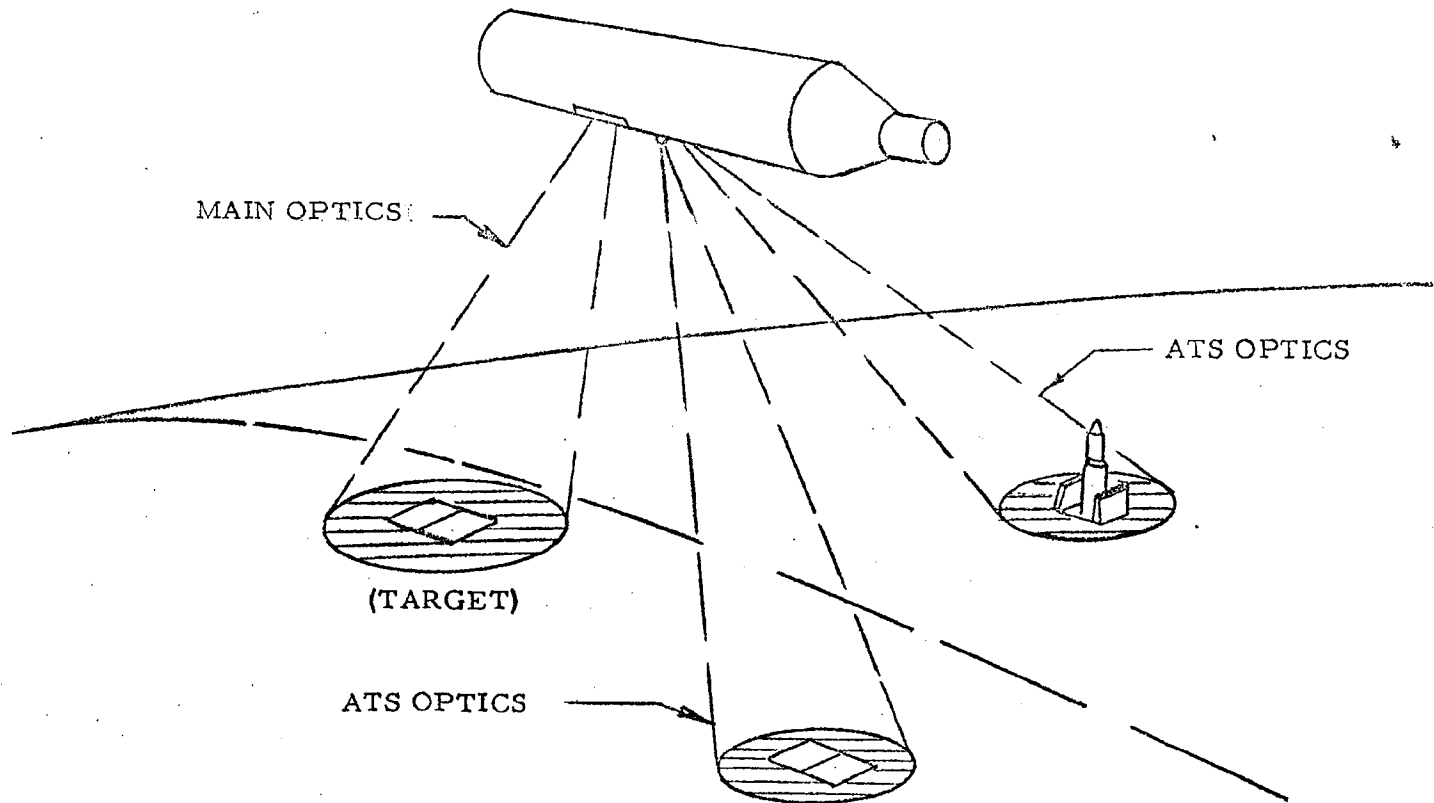
~~SECRET~~ SPECIAL HANDLING

~~SECRET~~ SPECIAL HANDLING

WHS-056

22

WEATHER VERIFICATION



⊙ IF TARGET IS CLEAR AT TIME OF PHOTOGRAPH, COUNT IT DOWN.

~~SECRET~~ SPECIAL HANDLING