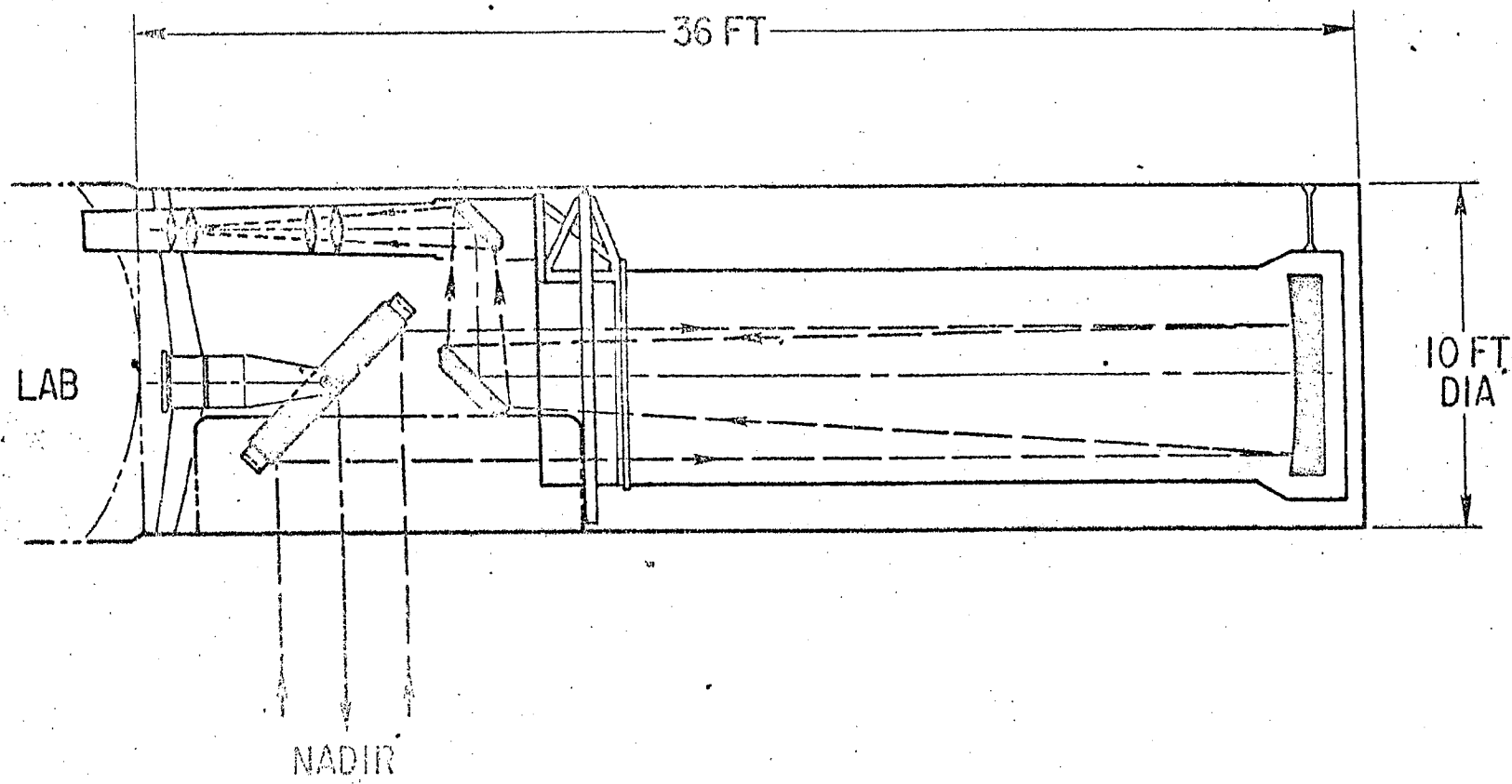


~~SECRET~~
SPECIAL HANDLING

WHS-293
P-8

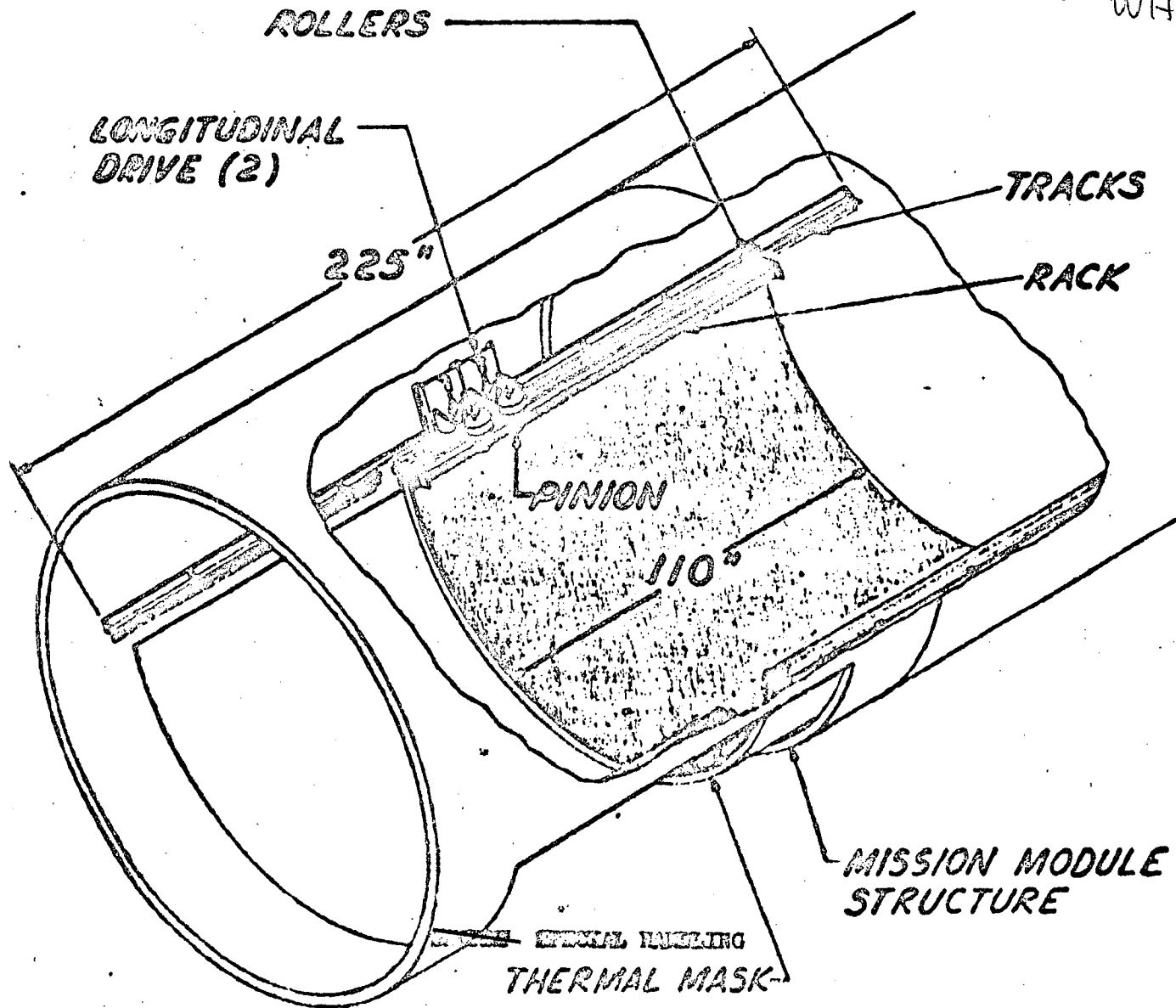
MISSION PROFILE



SPECIAL HANDLING
~~SECRET~~

THERMAL MASK ASSEMBLY & INSTL

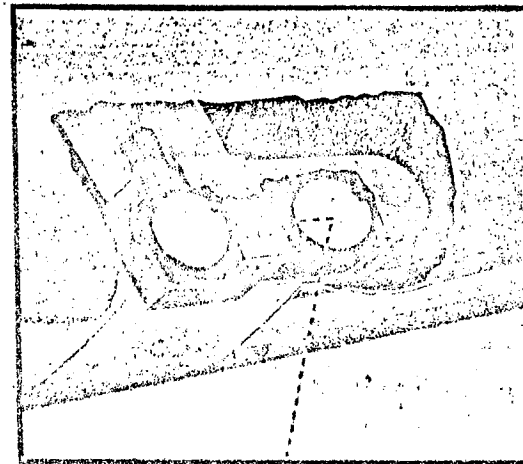
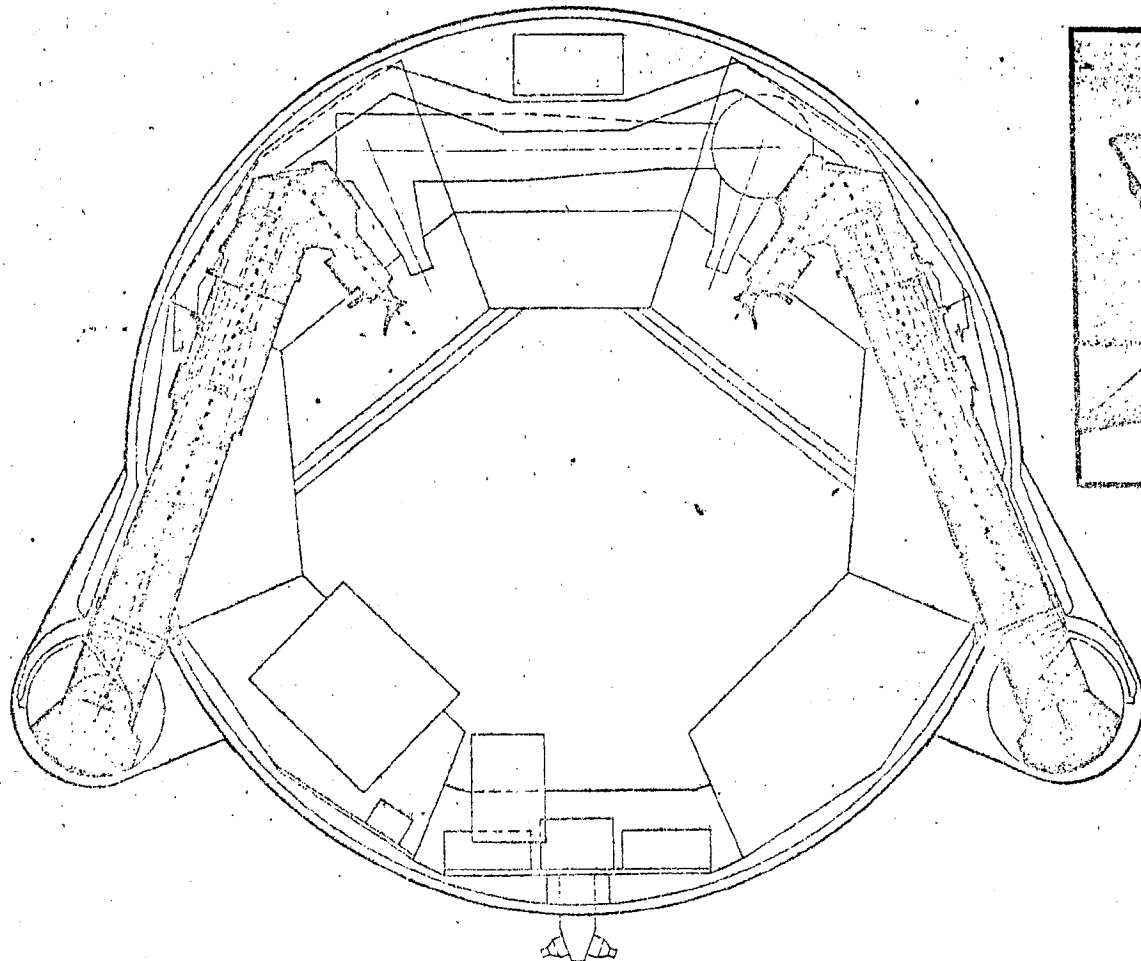
WHS-293
p. 13



SSS-101

~~SECRET~~
SPECIAL HANDLING

WITS-293
p. 15



HIGH RANGE 63-127X

LOW RANGE 16-32X

1° FOV @ 63X

4° FOV @ 16X

2 MM. EXIT PUPIL

@ 127X

10" APERTURE

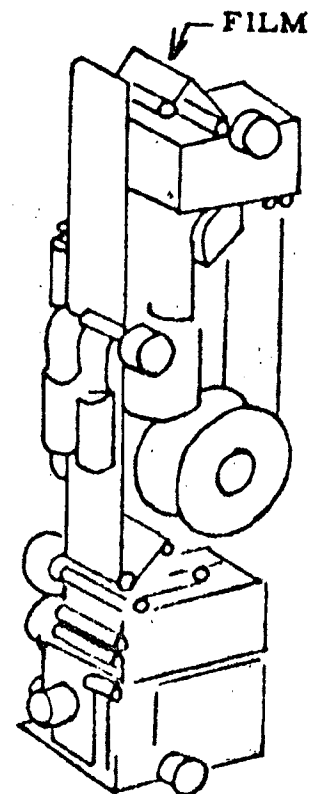
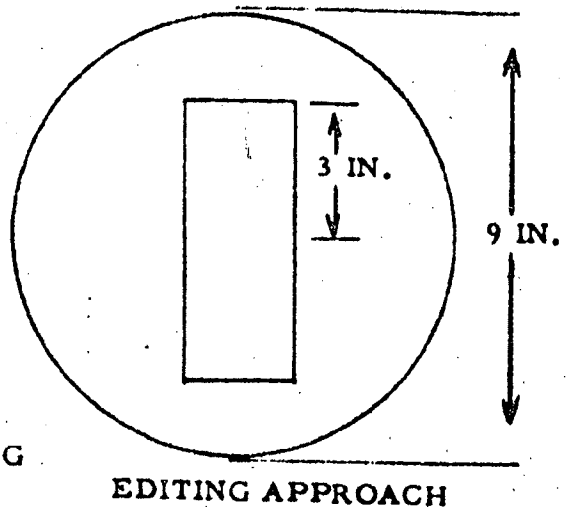
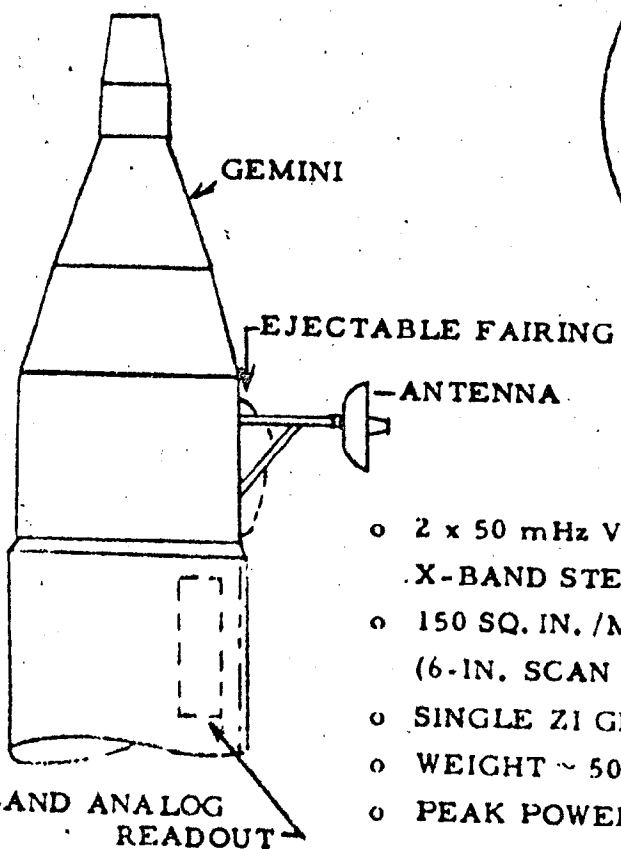
SPECIAL HANDLING

~~SECRET~~

~~(D) SECRET-SPECIAL HANDLING~~

WIDEBAND READOUT

WHS-293
p. 16

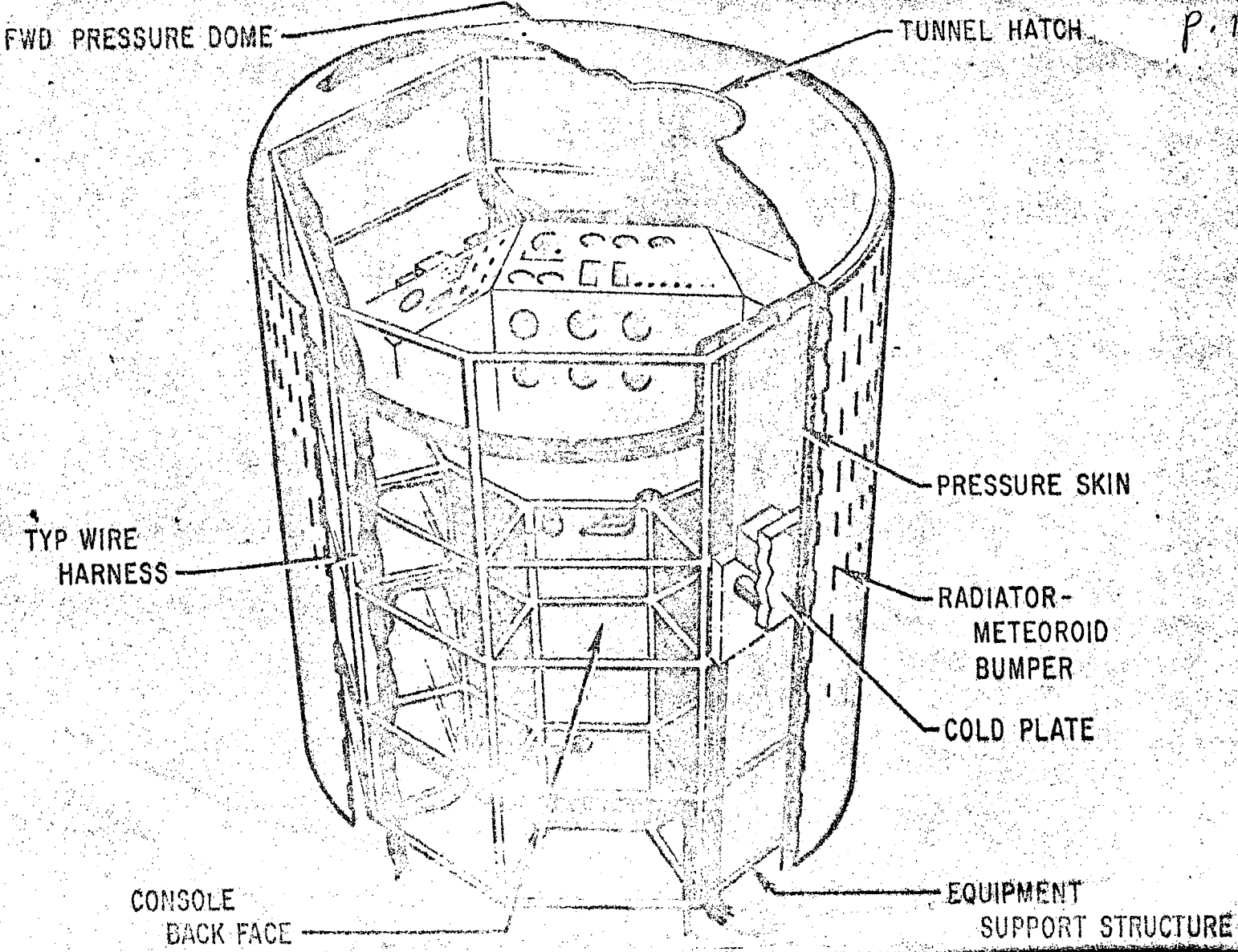


- o 2 x 50 MHz VIDEO CHANNELS
- o X-BAND STEERABLE ANTENNA - 3 FT. DISH
- o 150 SQ. IN. /MIN. FILM READOUT (6-IN. SCAN WIDTH)
- o SINGLE ZI GROUND STATION
- o WEIGHT ~ 500 LB
- o PEAK POWER ~ 630 WATTS

~~(D) SECRET-SPECIAL HANDLING~~

LABORATORY PRESSURIZED COMPARTMENT TYPICAL EQUIPMENT AND WIRING ARRANGEMENT

WHS-293
P. 18

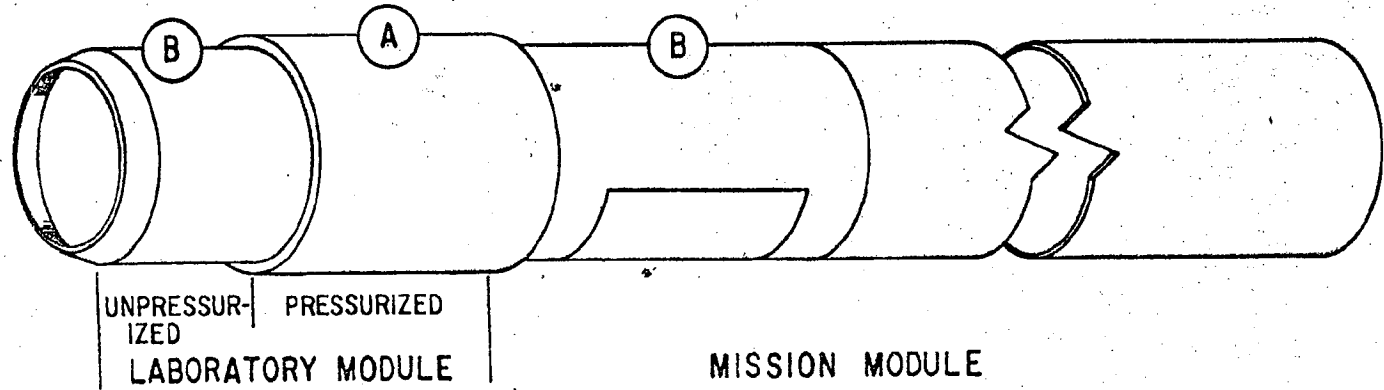
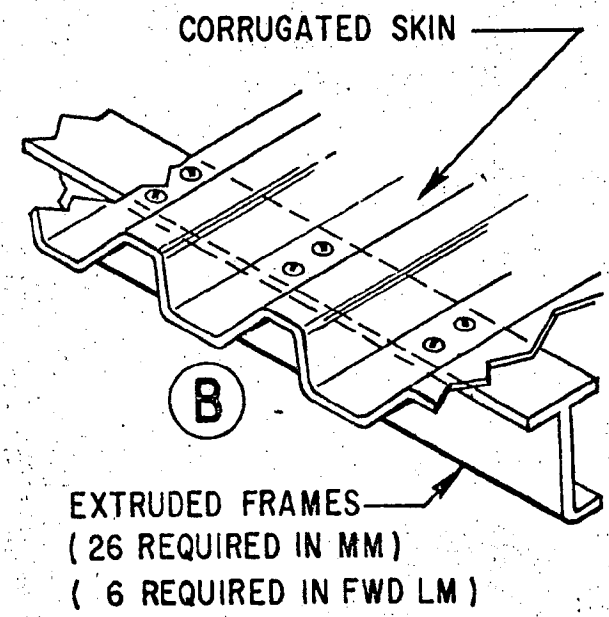
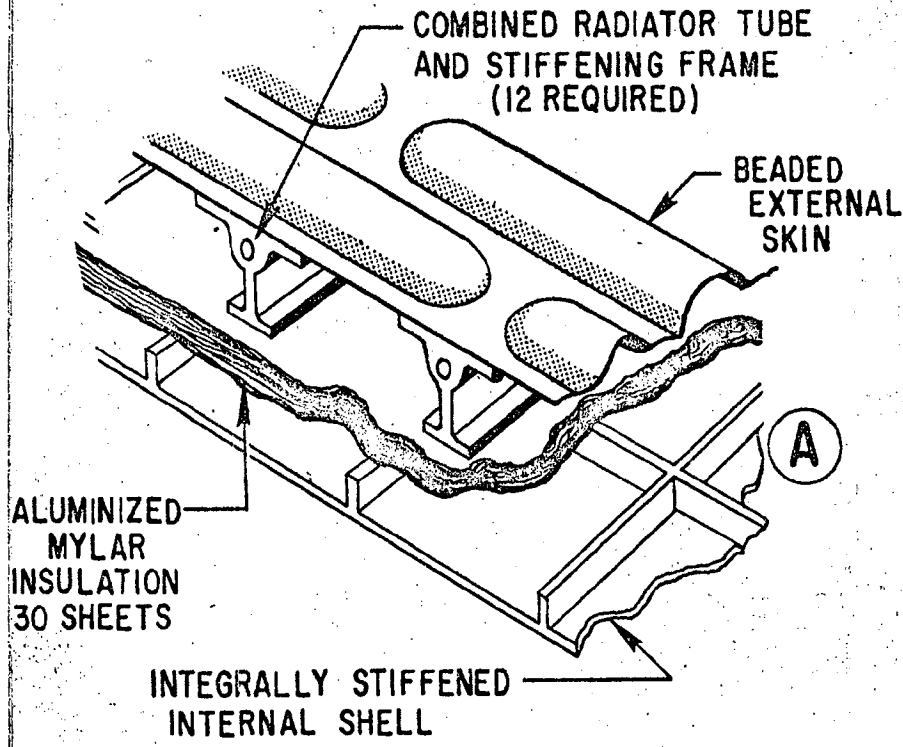


JAMPSON

STRUCTURAL ARRANGEMENT

V-28911
~~WFS-090~~

WFS-293
p. 19



WFS-090

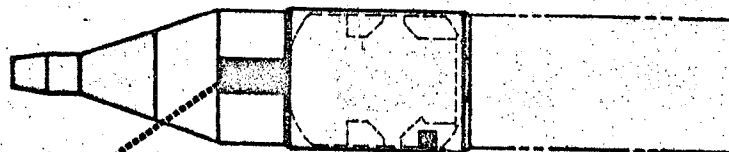
T 2
L
p 20 (10)

WFS-293

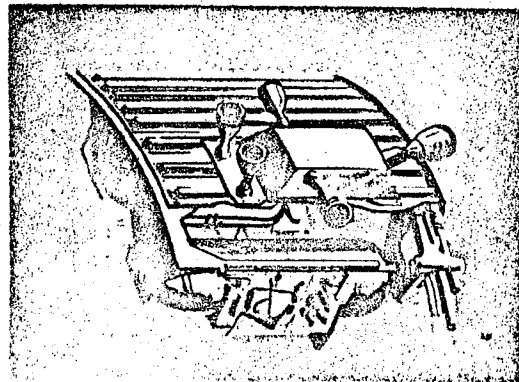
WEE-65- Y21489-R(III)

~~CONFIDENTIAL~~

ATTITUDE CONTROL & TRANSLATION SYSTEM BASELINE LABORATORY VEHICLE

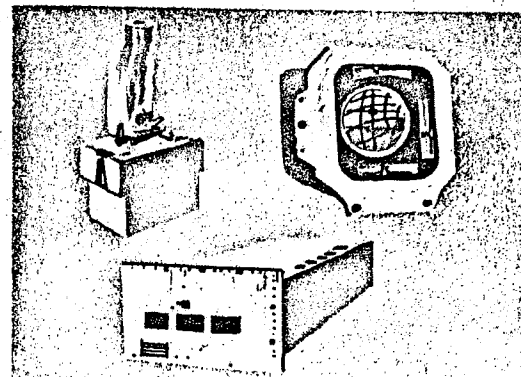


REACTION JETS



- 16-25 LBS
- 4-100 LBS
- RADIATION COOLED
- HYPERGOLIC BI-PROPELLANT
- MODULAR UNITS

A.C.T.S. ELECTRONICS



- 0.5 DEG POINTING TOLERANCE
- 0.004 DEG/SEC RATE TOLERANCE
- MULTIPLE MODES, MANUAL AND AUTOMATIC
- COMPUTER INDEPENDENT ELECTRONICS; HORIZON SENSORS AND BMG REFERENCE

THIS DOCUMENT CONTAINS INFORMATION OF A CONFIDENTIAL NATURE AND IS TO BE CONTROLLED AS SUCH. IT IS THE PROPERTY OF THE AIR FORCE AND IS LOANED TO YOU. IT AND ITS CONTENTS ARE TO BE RETURNED TO THE AIR FORCE AT THE END OF THE LOAN PERIOD. IT IS NOT TO BE REPRODUCED OR TRANSMITTED IN ANY FORM OR BY ANY MEANS, ELECTRONIC OR MECHANICAL, INCLUDING PHOTOCOPYING, RECORDING, OR BY ANY INFORMATION STORAGE AND RETRIEVAL SYSTEM, WITHOUT PERMISSION IN WRITING FROM THE AIR FORCE. THIS DOCUMENT IS UNCLASSIFIED.

~~CONFIDENTIAL~~

DOWNGRADED AT 3 YEAR INTERVALS.
DECLASSIFIED 10/17/94 BY
DDO DR 200 2

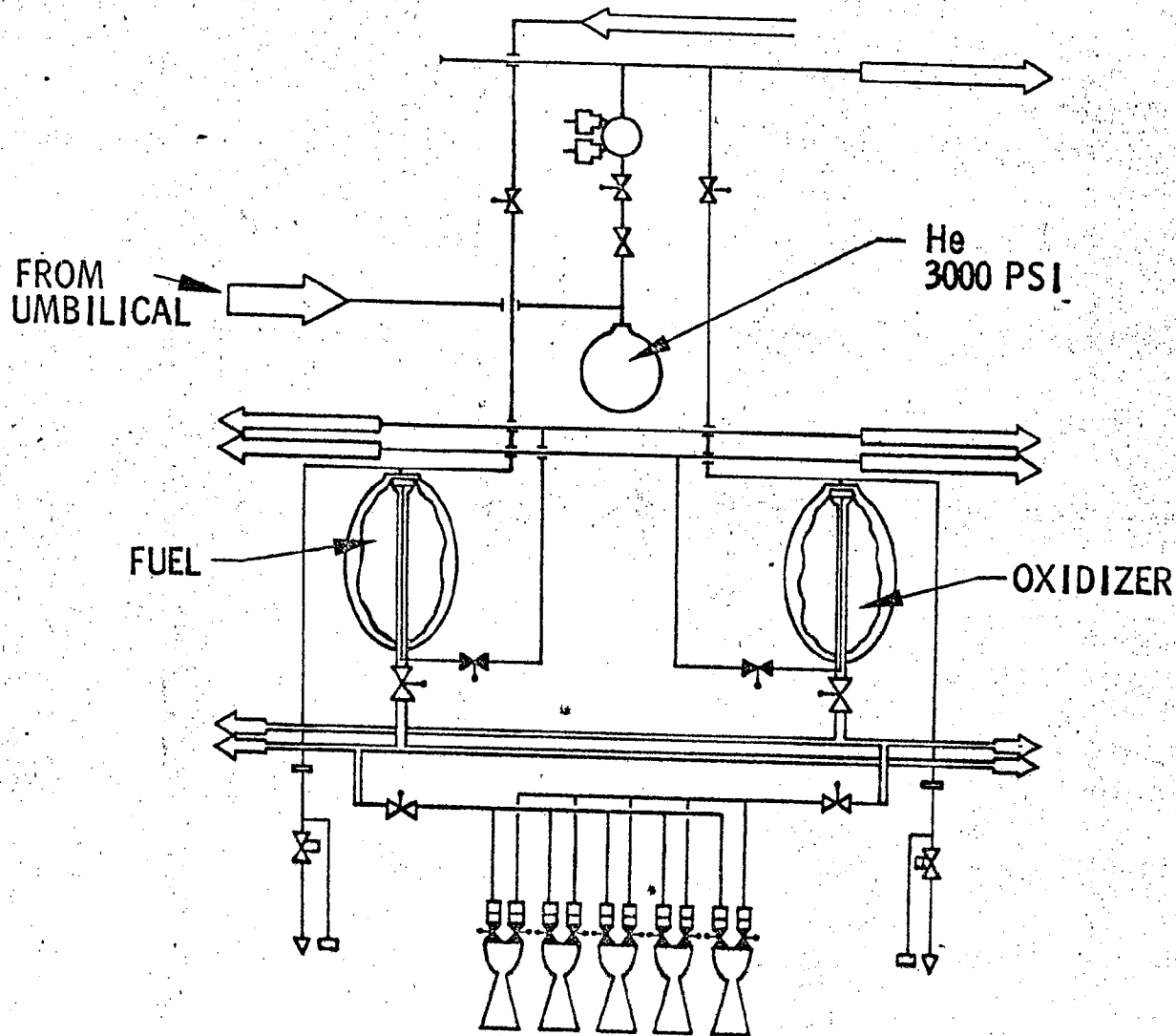
AEROSPACE CORPORATION



ACTS/PROP SINGLE SECTOR SCHEMATIC

V587-6B⁺

WHS-293
P. ~~20~~ 21



TYPICAL ACTS/PROP SECTOR

V587-5

WHS-293
p. 22

TYPICAL RELIEF VALVE

THRUSTOR INJECTOR VALVES

TYPICAL THRUSTOR ISOLATION VALVES OXIDIZER AND FUEL

HIGH PRESSURE HELIUM TANK

PLENUM

HELIUM REGULATOR

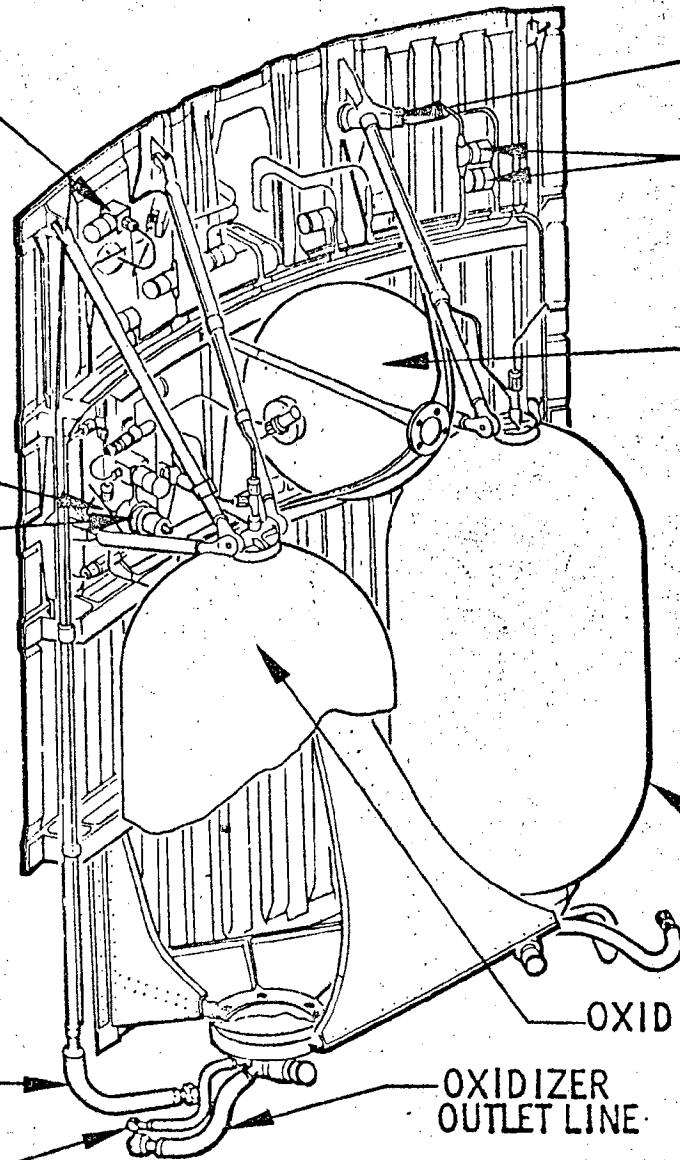
FUEL TANK

TYPICAL PROPELLANT MANIFOLD

OXIDIZER TANK

TYPICAL VENT AND RECIRCULATION LINE

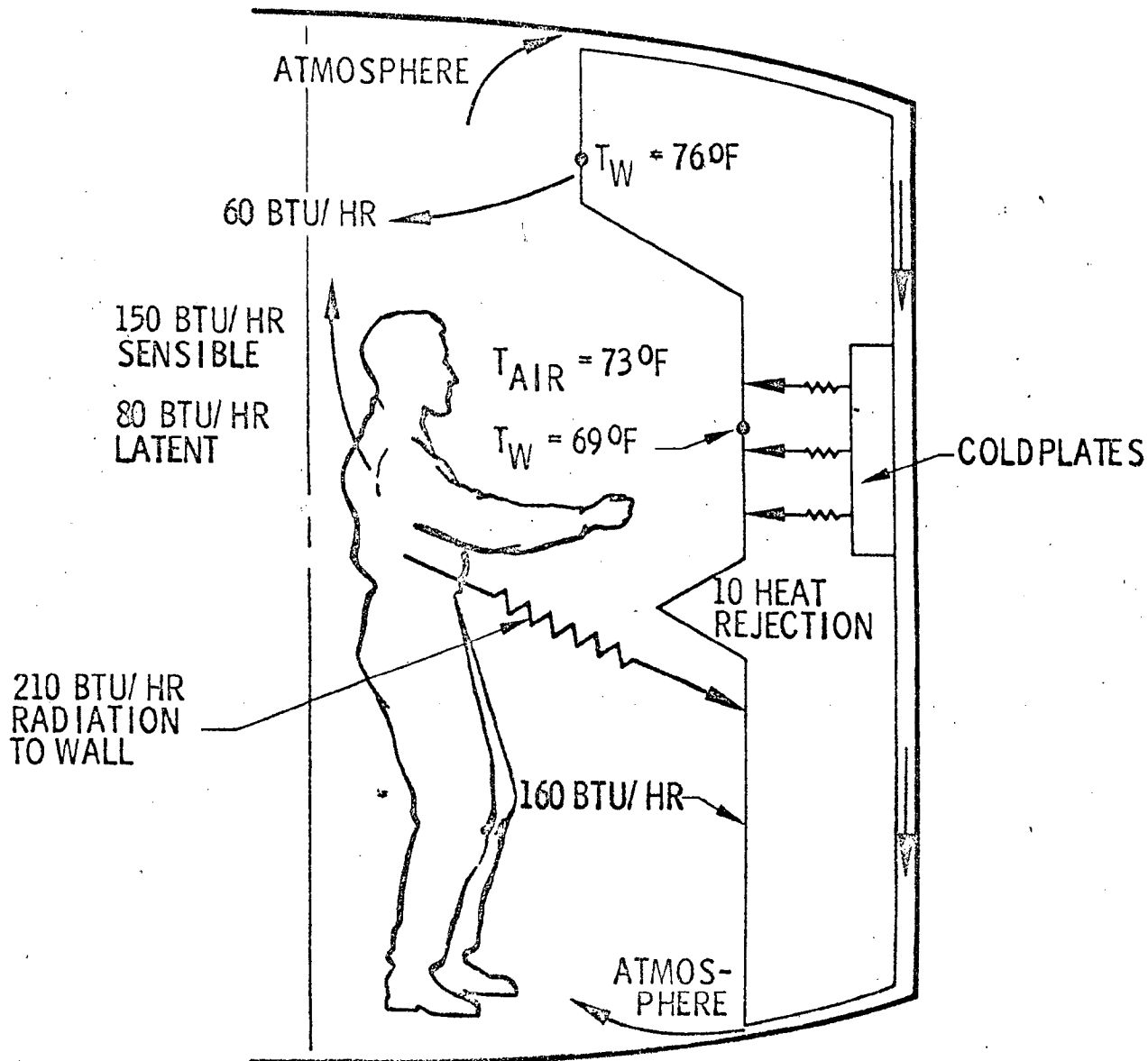
OXIDIZER OUTLET LINE



COLD WALL METABOLIC BALANCE

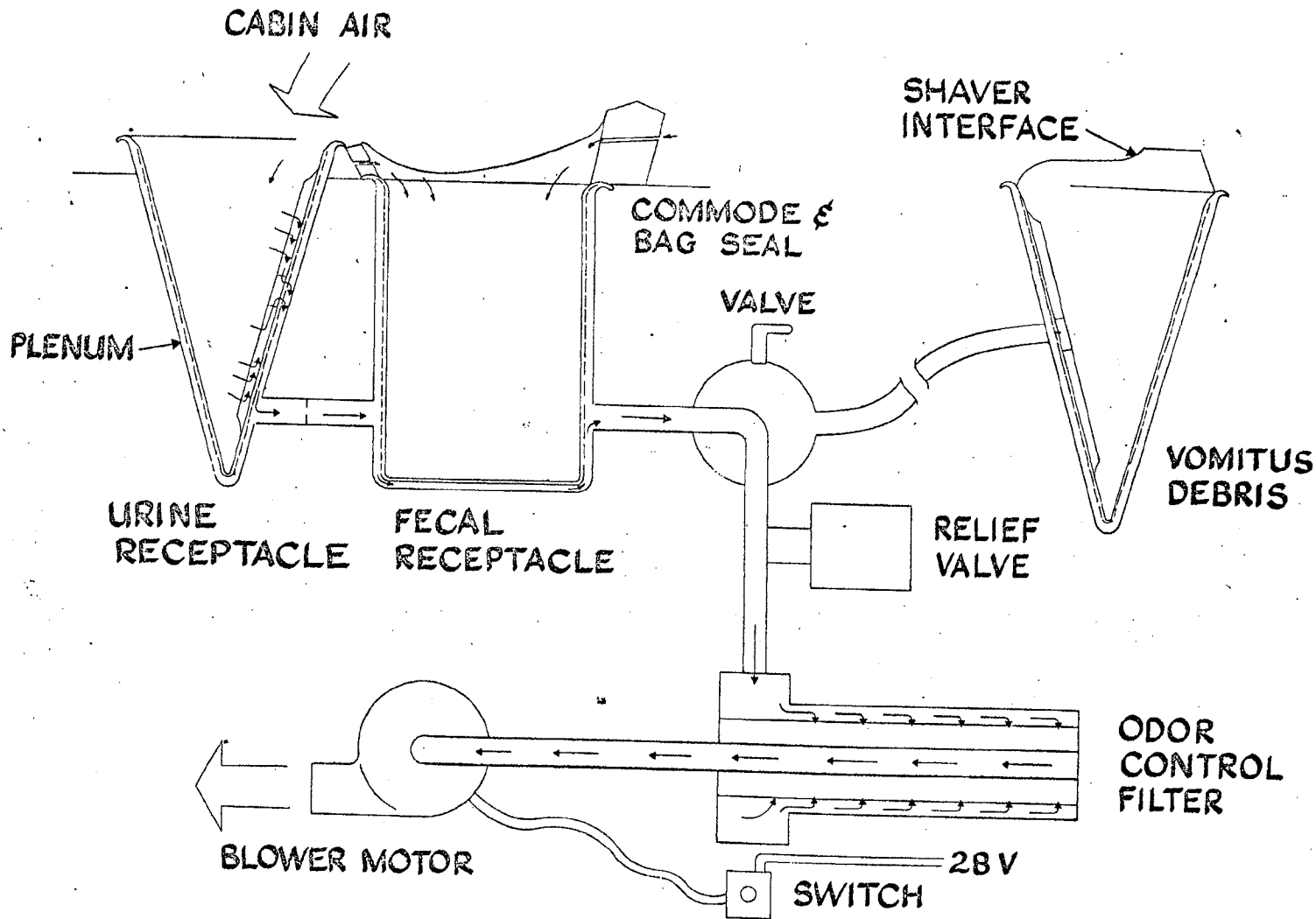
V754-9 B

WHS-293
P. 37



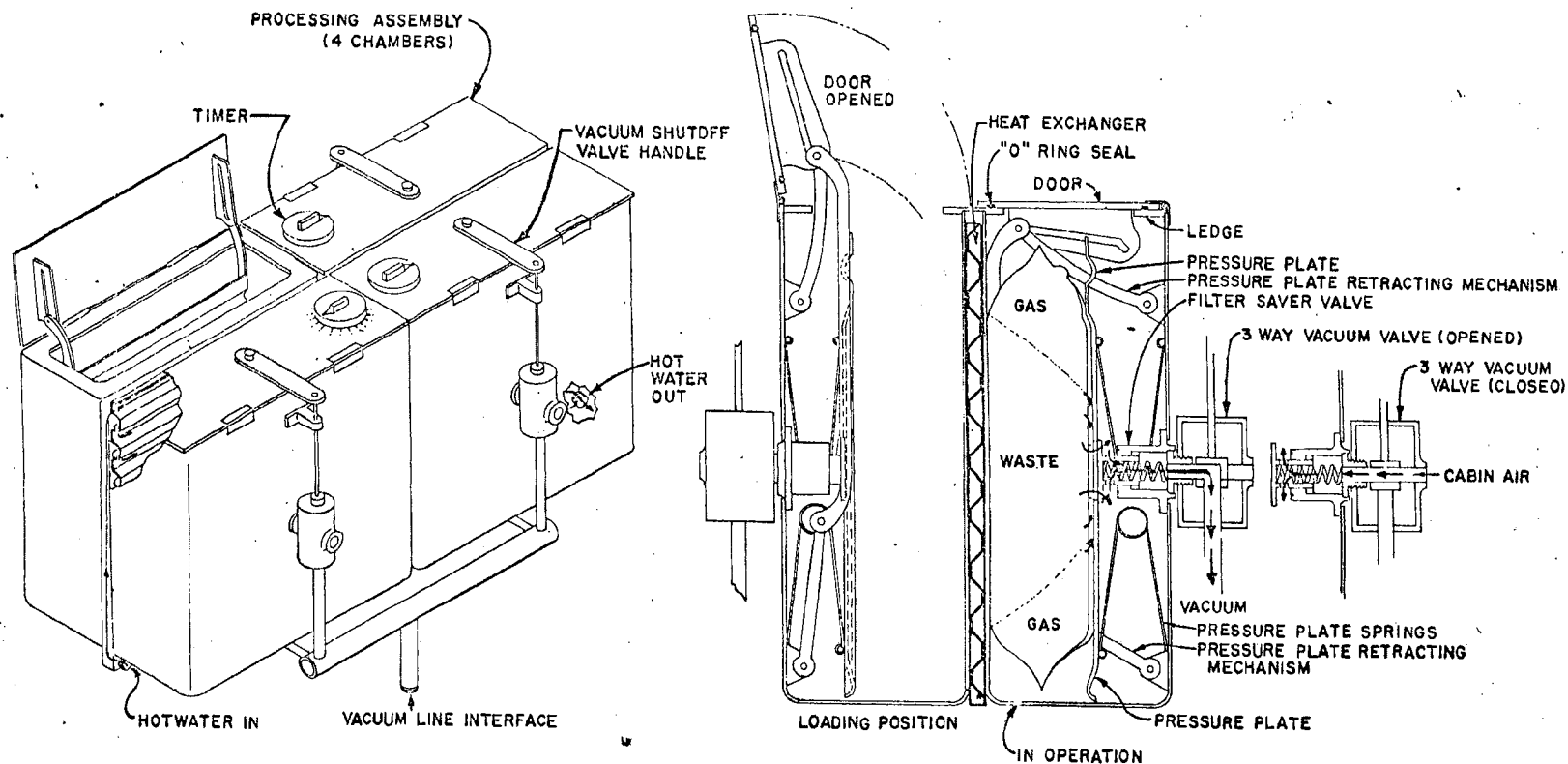
COLLECTION SYSTEM

WHS-293
P. 32



WASTE PROCESSOR UNIT

WHS-293
P. 38



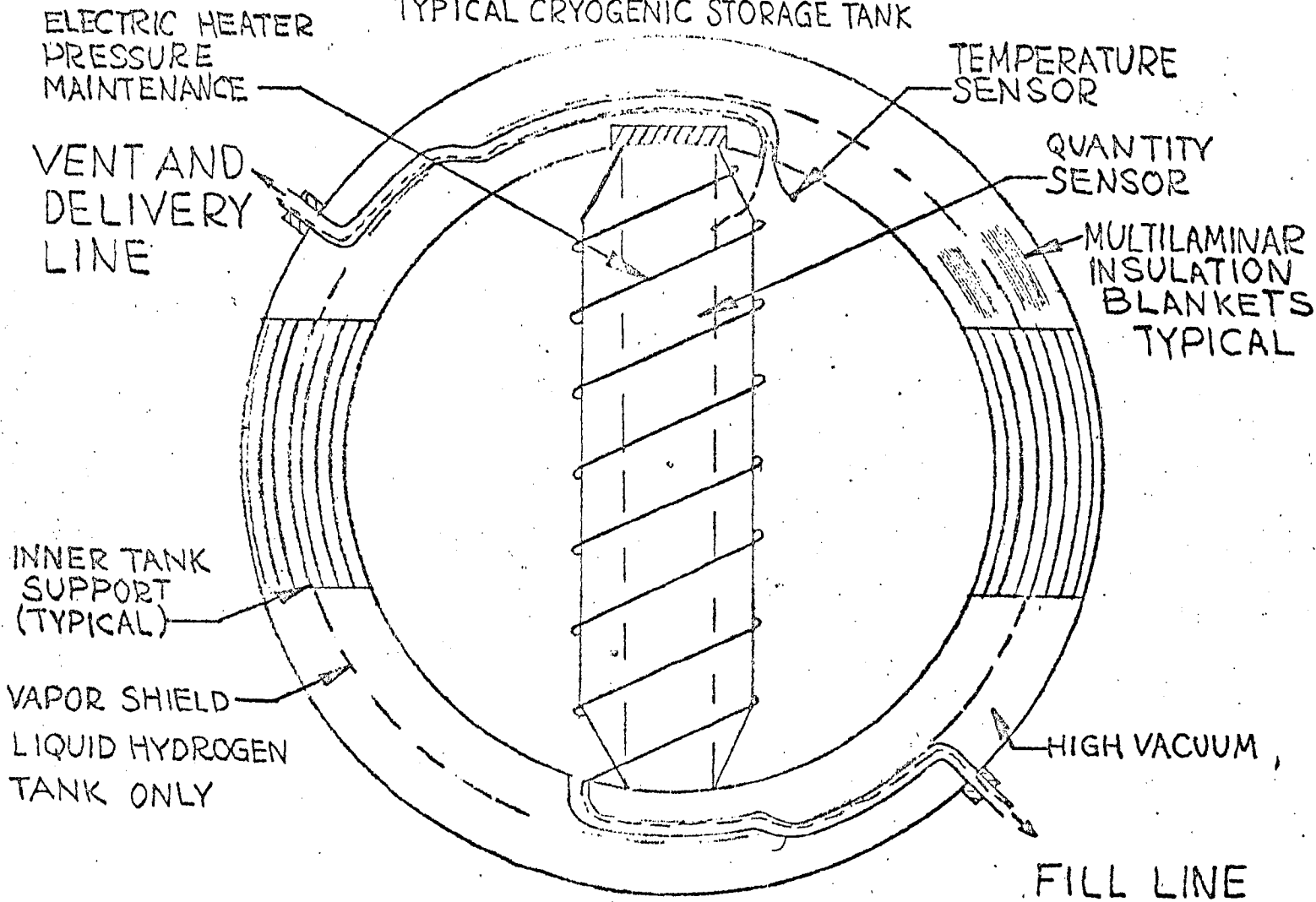
26

ATMOSPHERE AND REACTANT SUPPLY SUBSYSTEM

#21
6 MAR 67

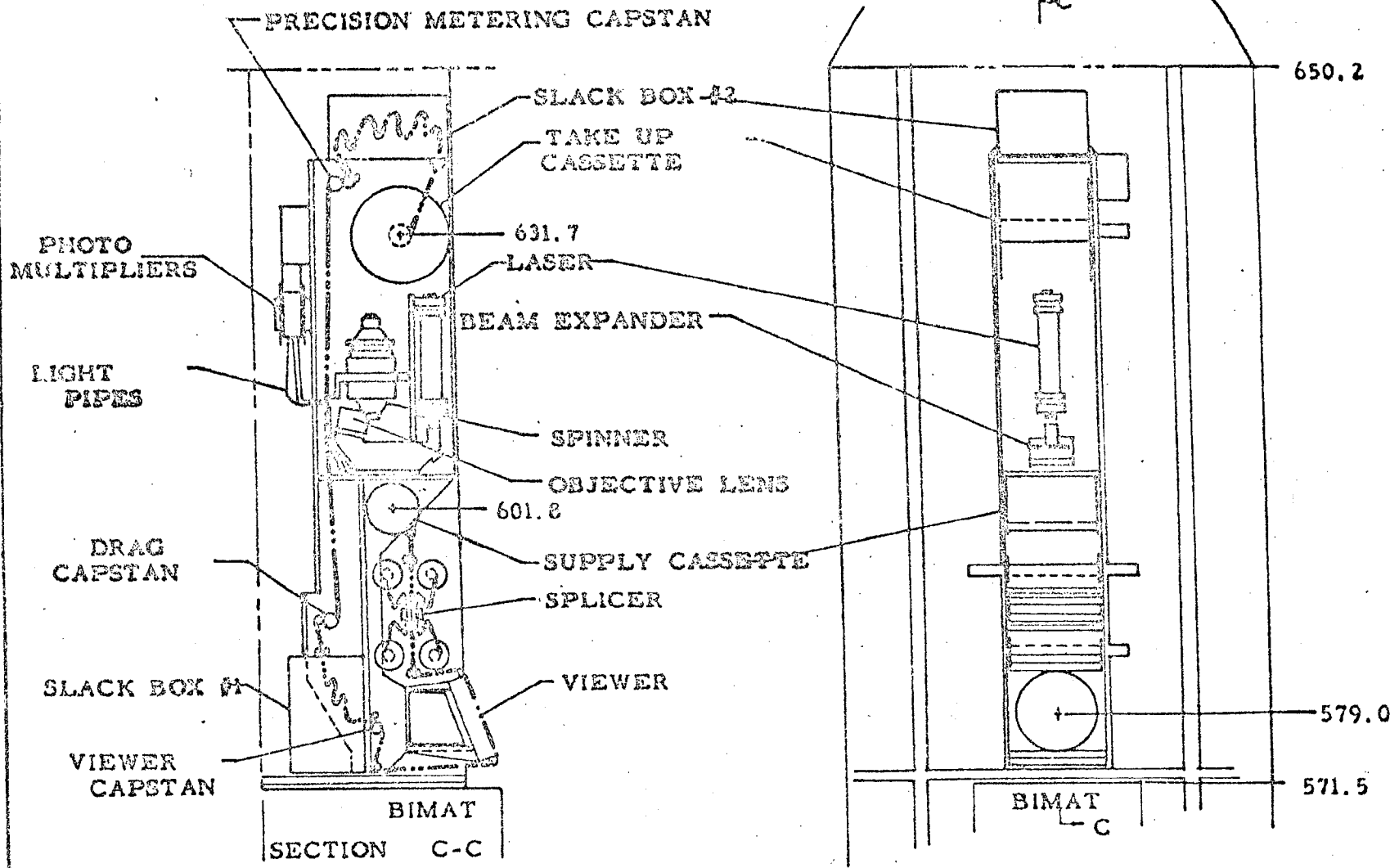
WHS-293
P. 35

TYPICAL CRYOGENIC STORAGE TANK



~~SECRET~~ SPECIAL HANDLING

WHS-392
p. 17



COMPONENT ARRANGEMENT FOR CASSETTE LOADING FROM BIMAT PROCESSOR

~~SECRET~~ SPECIAL HANDLING

~~SECRET~~ SPECIAL HANDLING
BTL WIDE-BAND SYSTEM

WHS-392
P. 20

