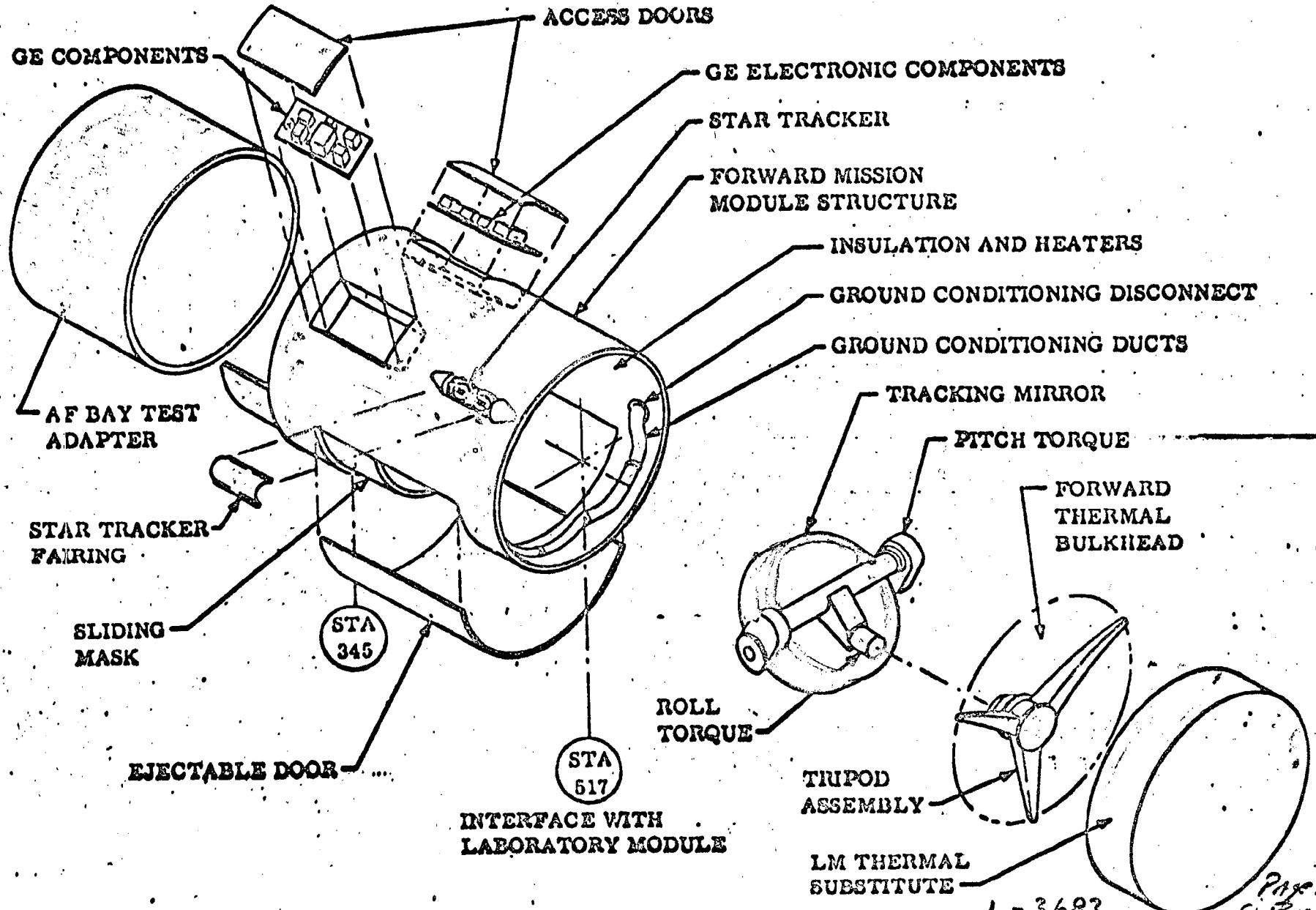


# ~~SECRET~~ SPECIAL HANDLING MISSION MODULE FORWARD STRUCTURE ASSEMBLY



INTERFACE WITH LABORATORY MODULE

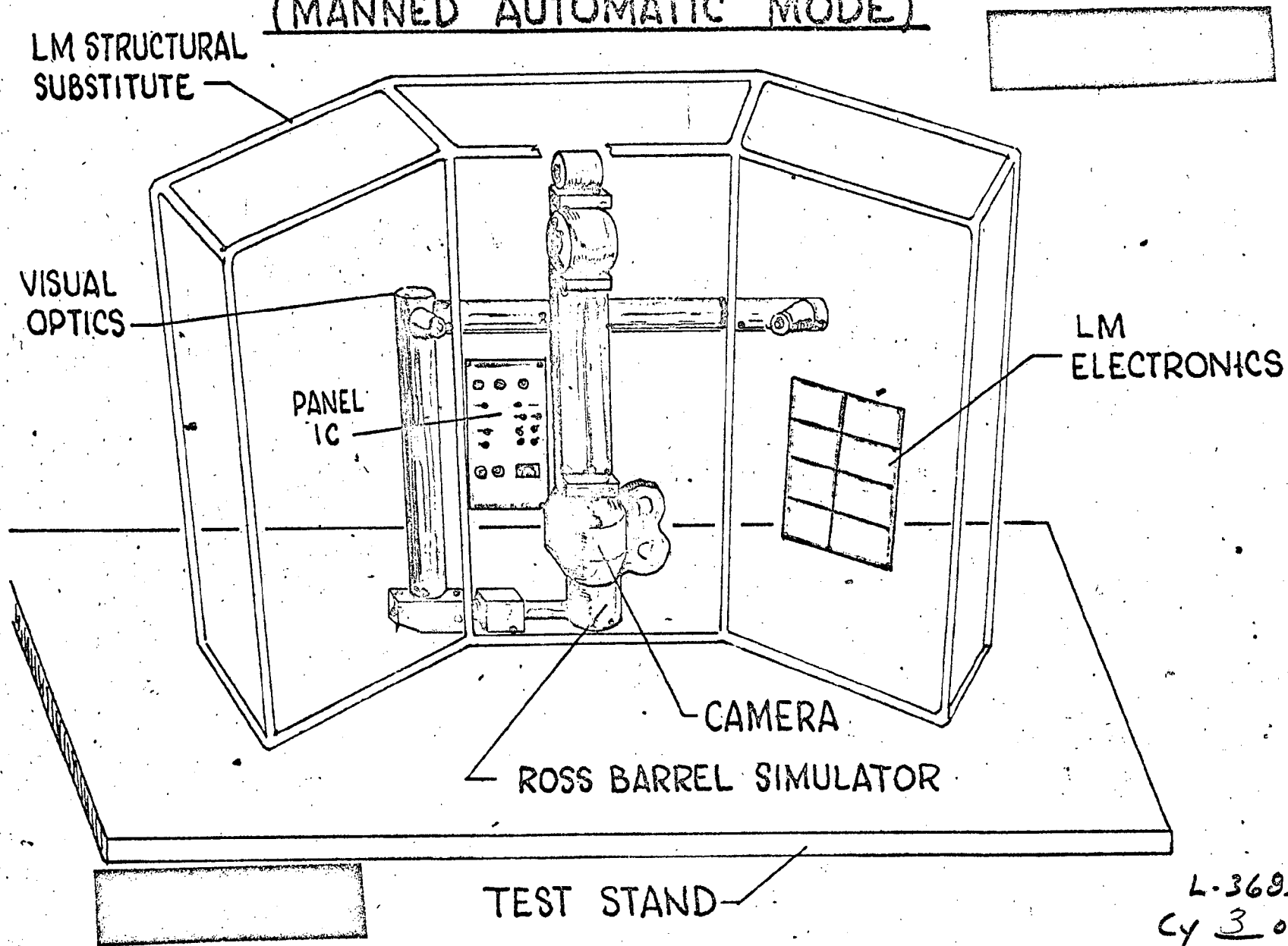
LM THERMAL SUBSTITUTE

L-3683

Page 7 of 59  
Cy 3 of 26

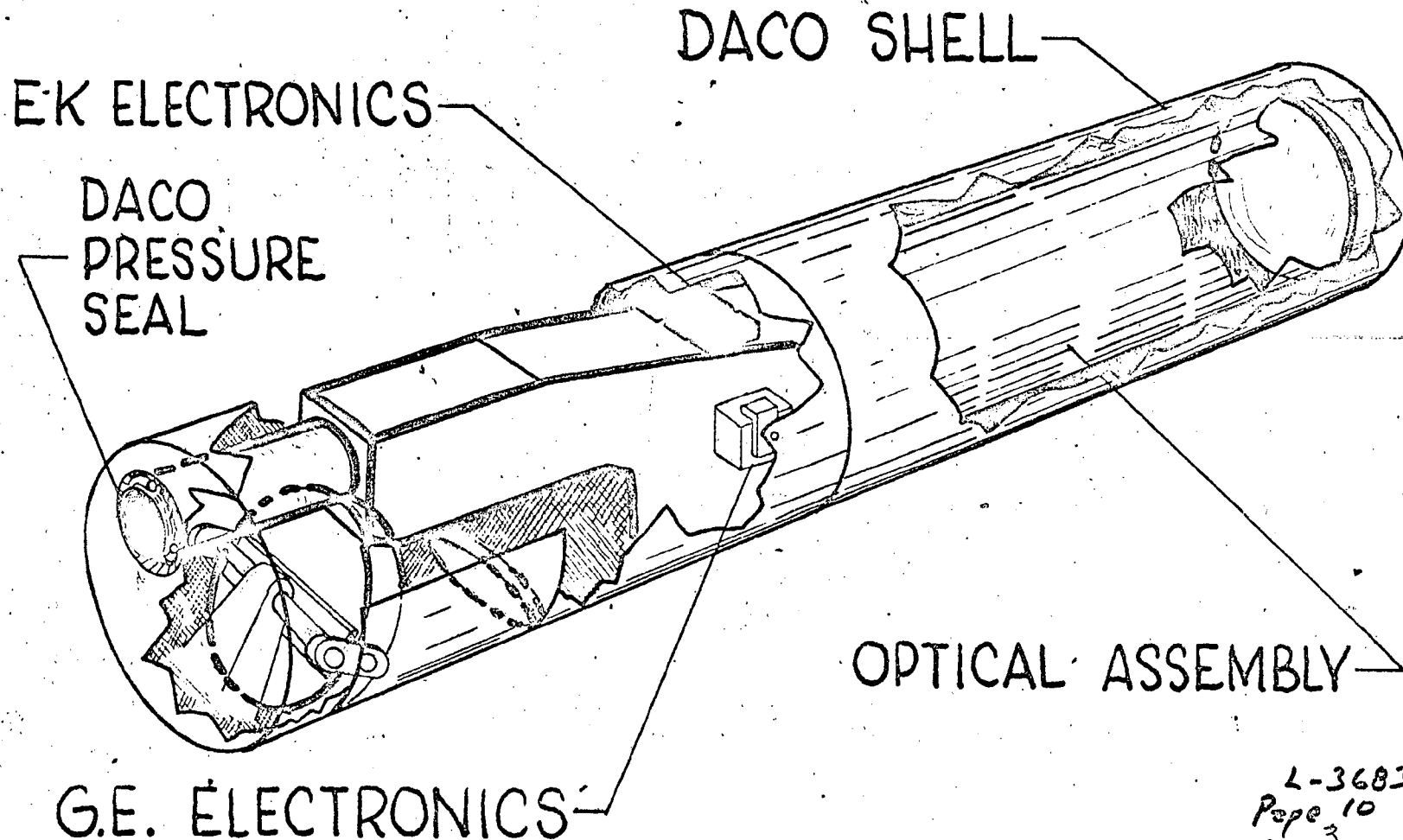
~~SECRET~~ SPECIAL HANDLING

# LAB MODULE SUBSYSTEM TEST CONFIGURATION (MANNED AUTOMATIC MODE)



L-3693  
Cy 3 of 26  
Page 9 of 59

# MISSION MODULE TEST CONFIGURATION



L-3683  
Page 10 of 59  
cy 3 of 26

