

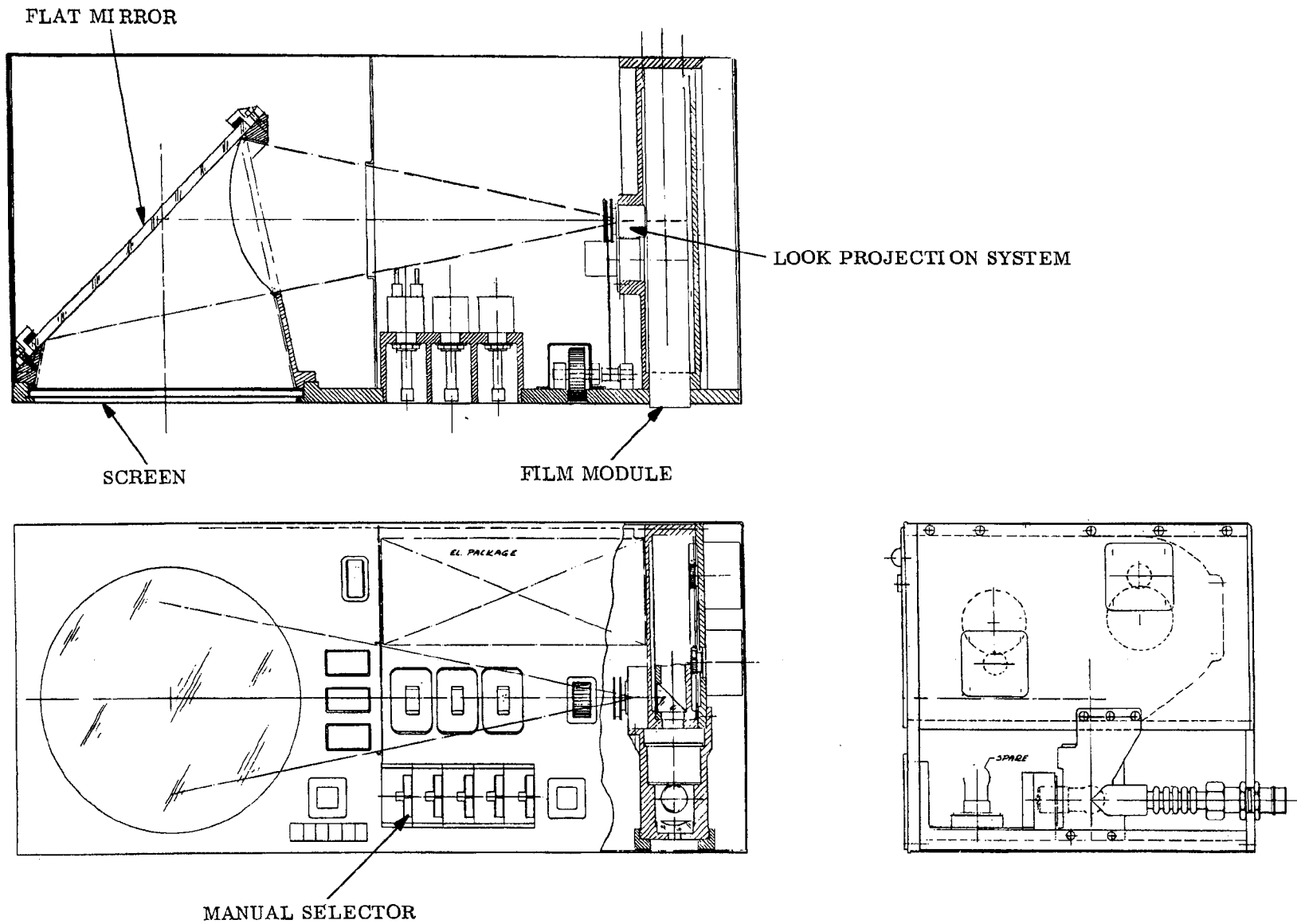
Figure 1.3-4. LM Installation of ATS

~~SECRET~~ SPECIAL HANDLING

~~SECRET~~ SPECIAL HANDLING

1-42

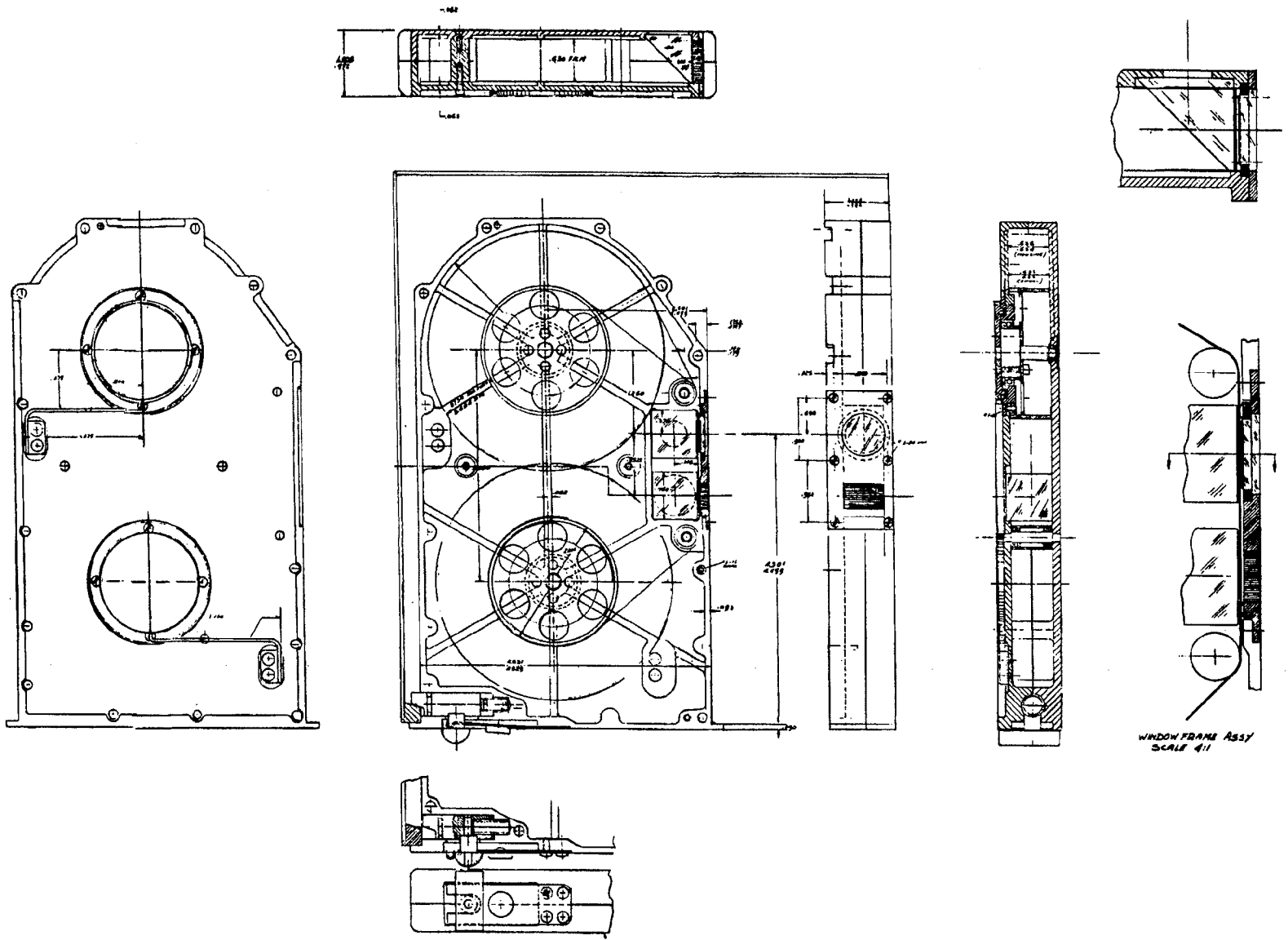
~~SECRET~~ SPECIAL HANDLING



~~SECRET~~ SPECIAL HANDLING

Figure 1.3-6. Visual Display Projector Layout

~~SECRET~~ SPECIAL HANDLING

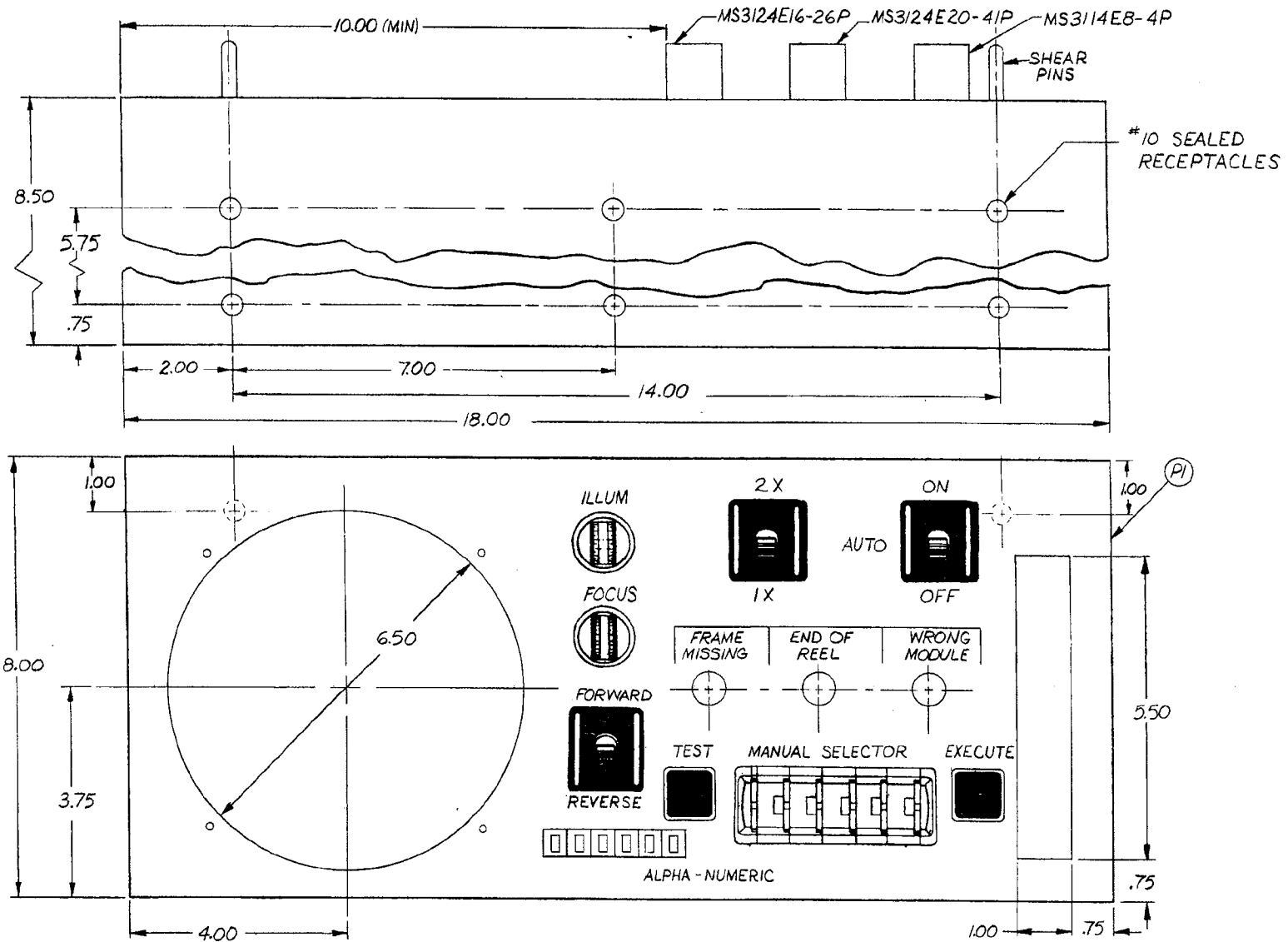


~~SECRET~~ SPECIAL HANDLING

Figure 1.3-7. Film Module Layout

1-48

~~SECRET~~ SPECIAL HANDLING



~~SECRET~~ SPECIAL HANDLING

Figure 1.3-9. Outline Drawing, Visual Display Projector

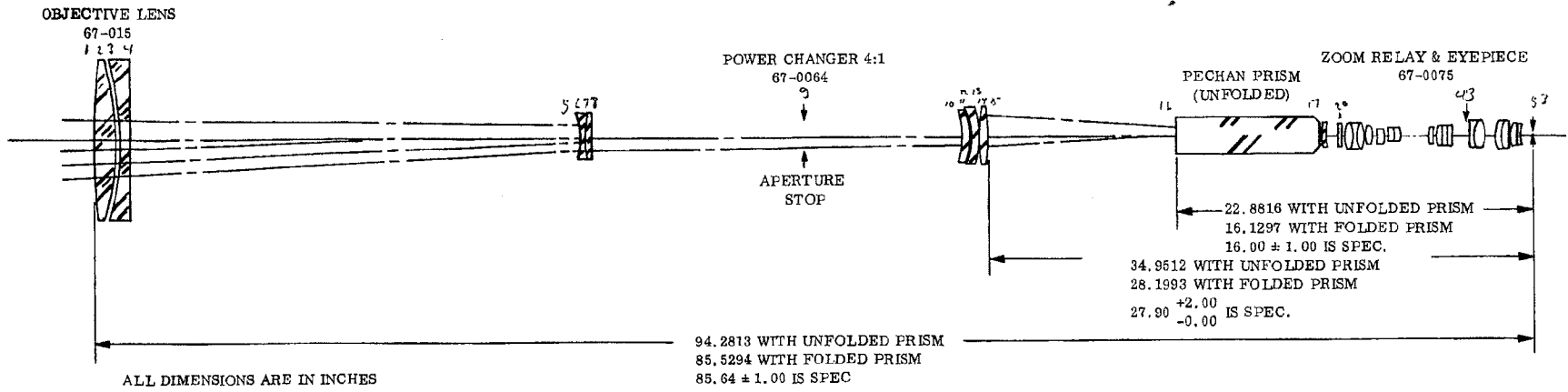


Figure 2.1-1. Optical Design - Low Power

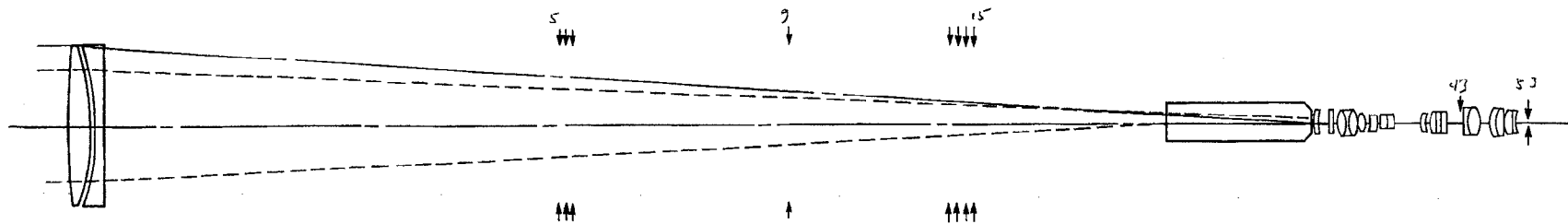


Figure 2.1-2. Optical Design - High Power

2-7/2-8

~~SECRET~~ SPECIAL HANDLING

~~SECRET~~ SPECIAL HANDLING

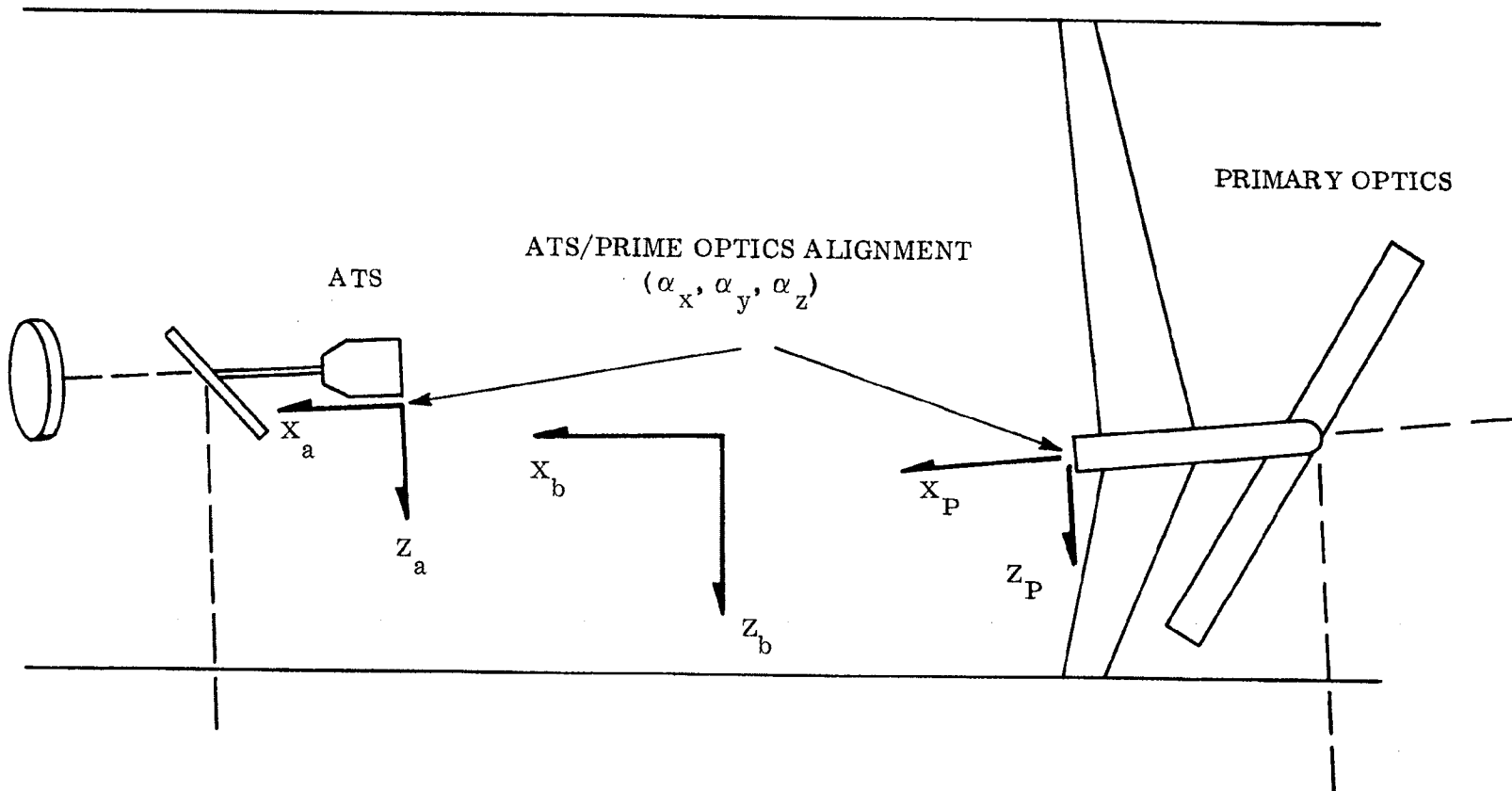


Figure 2.3-1. ATS and Primary Optics Configuration (Side View)

~~SECRET~~ SPECIAL HANDLING

~~SECRET~~ SPECIAL HANDLING

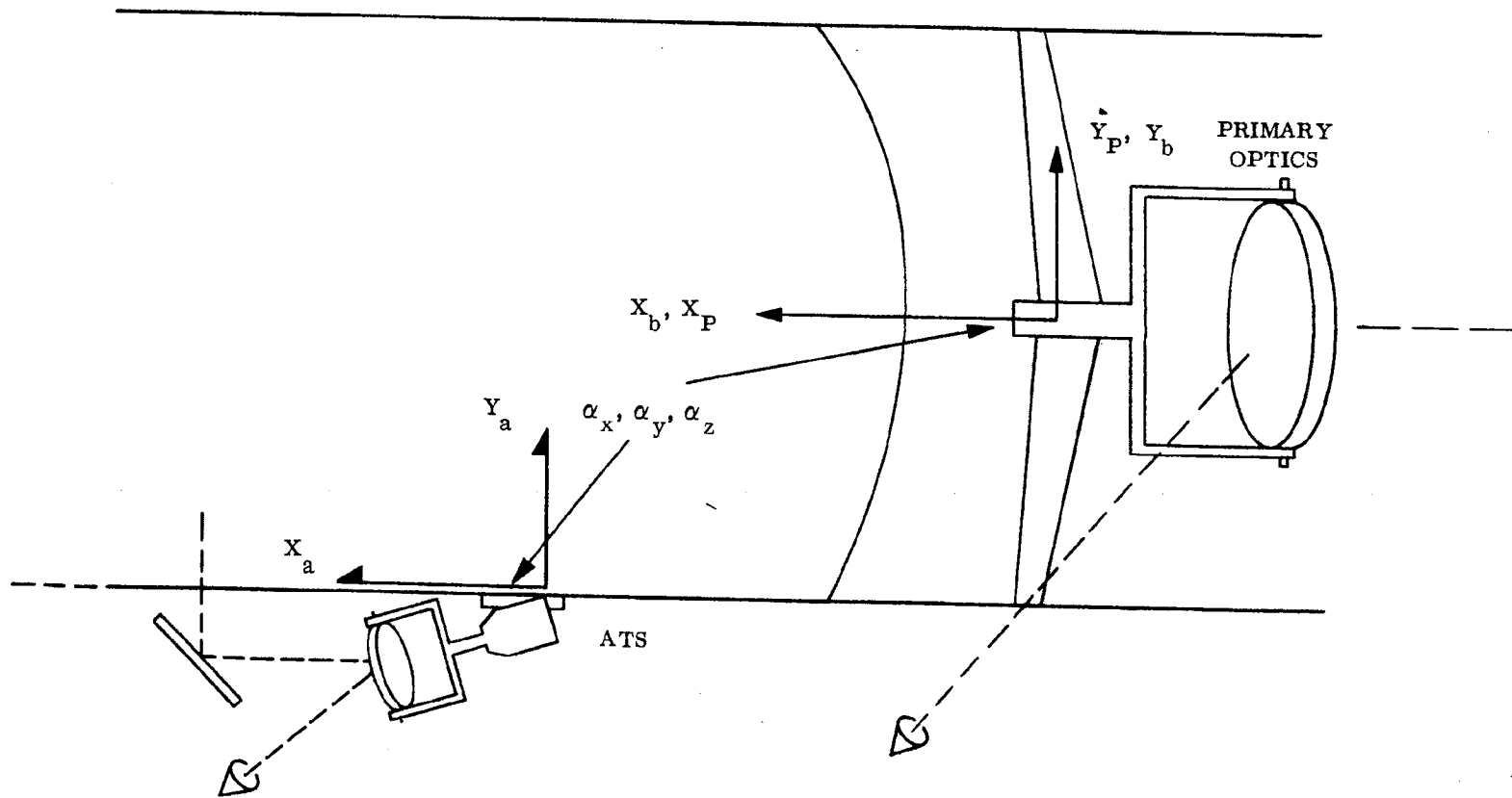


Figure 2.3-2. ATS and Main Optics Configuration (Top View)

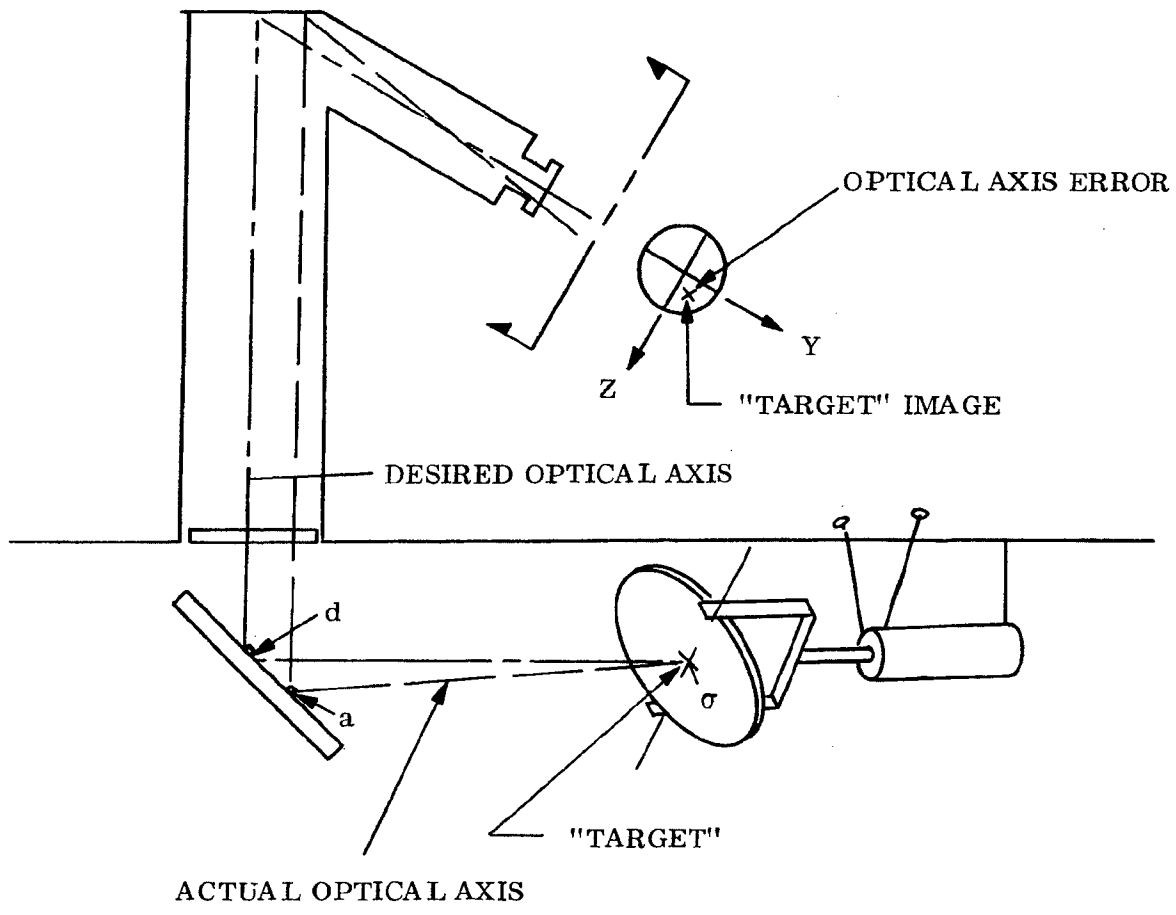
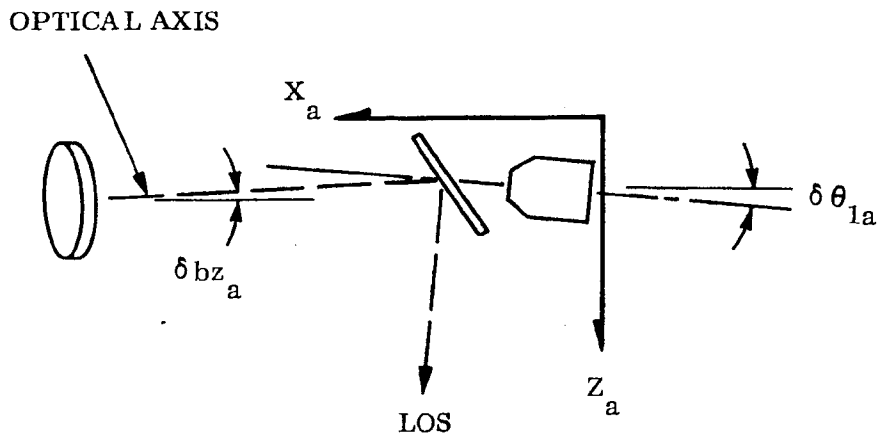


Figure 2.3-3. ATS Configuration



$\delta b_{y_a}, \delta b_{z_a}$ - OPTICAL AXIS ERRORS
 $\delta \theta_{1A}, \delta \psi_{1a}$ - ROLL GIMBAL DIRECTION ERRORS

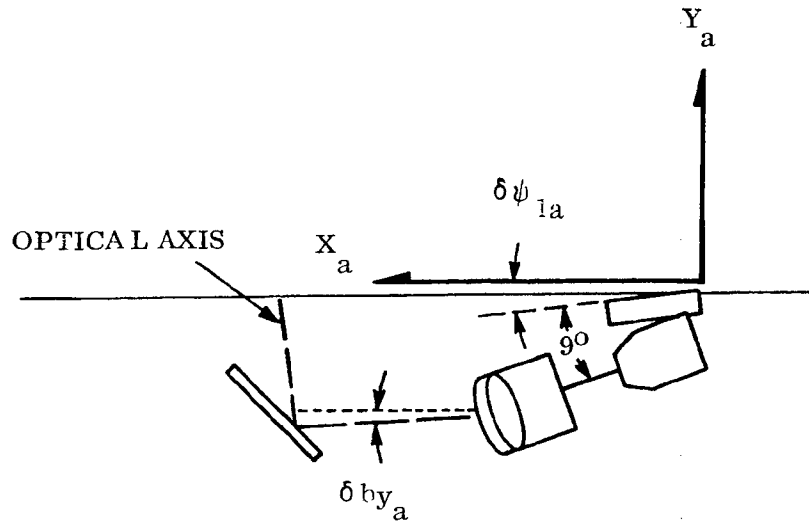
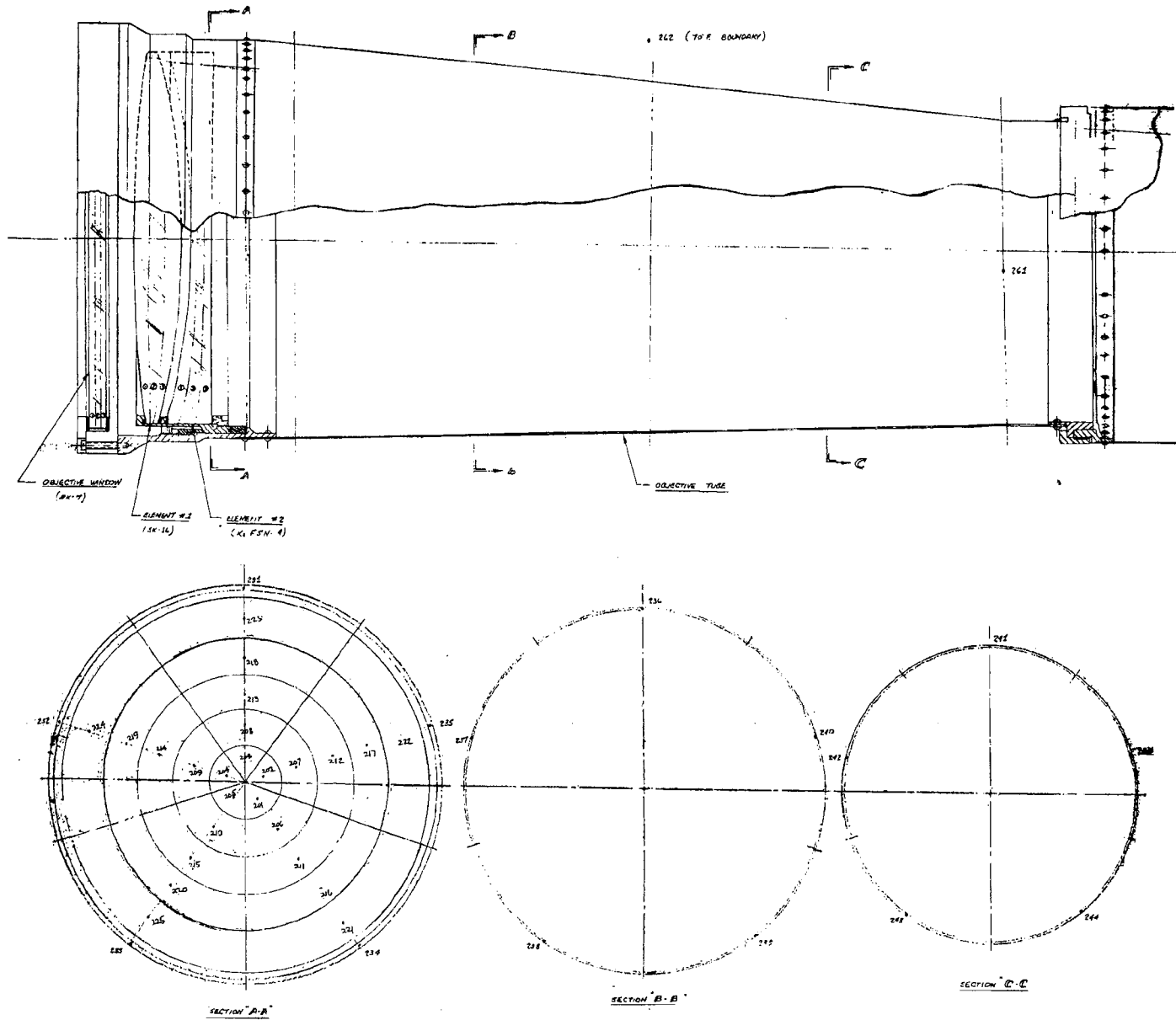


Figure 2.3-4. ATS Errors

2-268

~~SECRET~~ SPECIAL HANDLING



~~SECRET~~ SPECIAL HANDLING

Figure 2.4-23. Nodal Network of Outer Elements

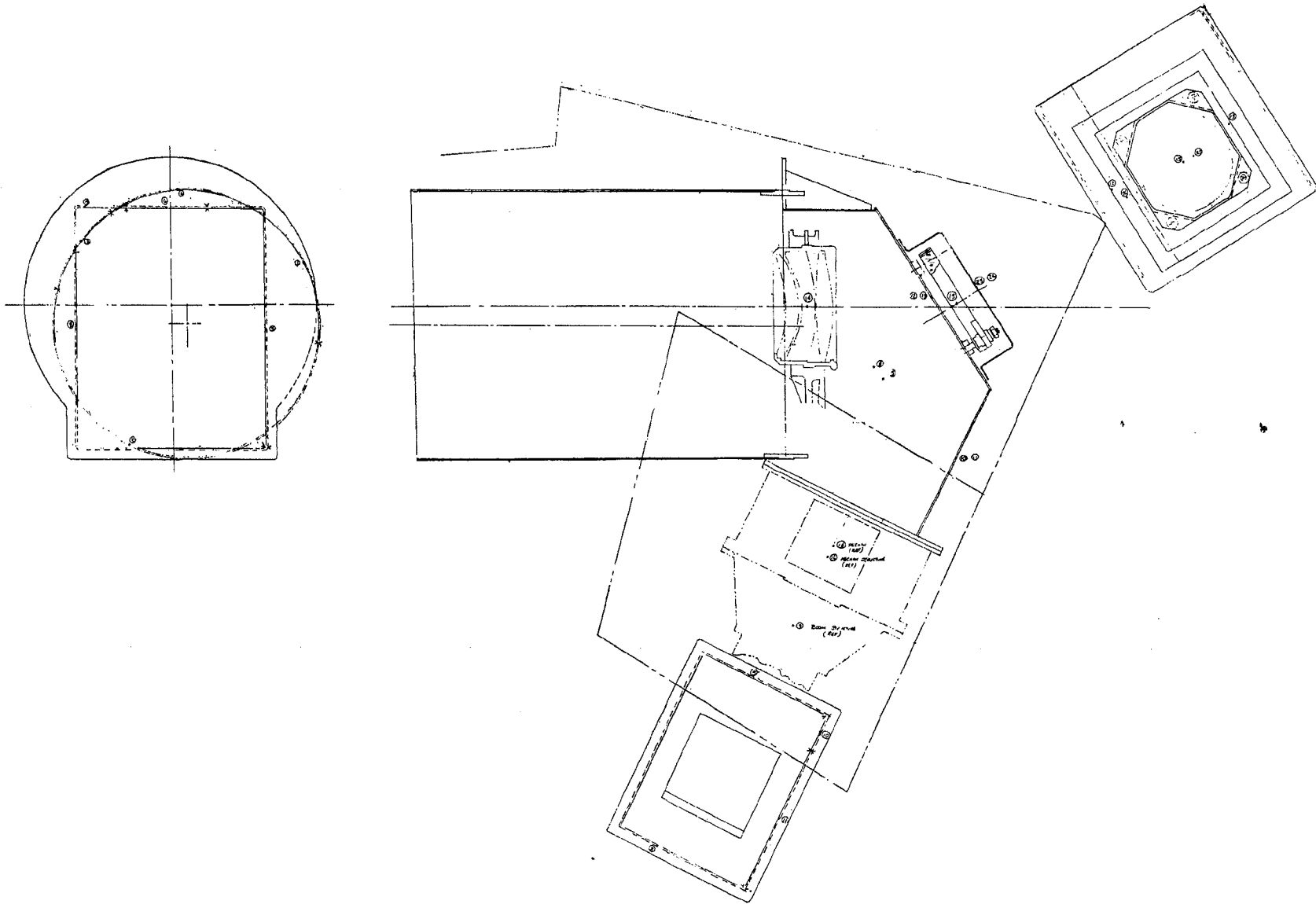
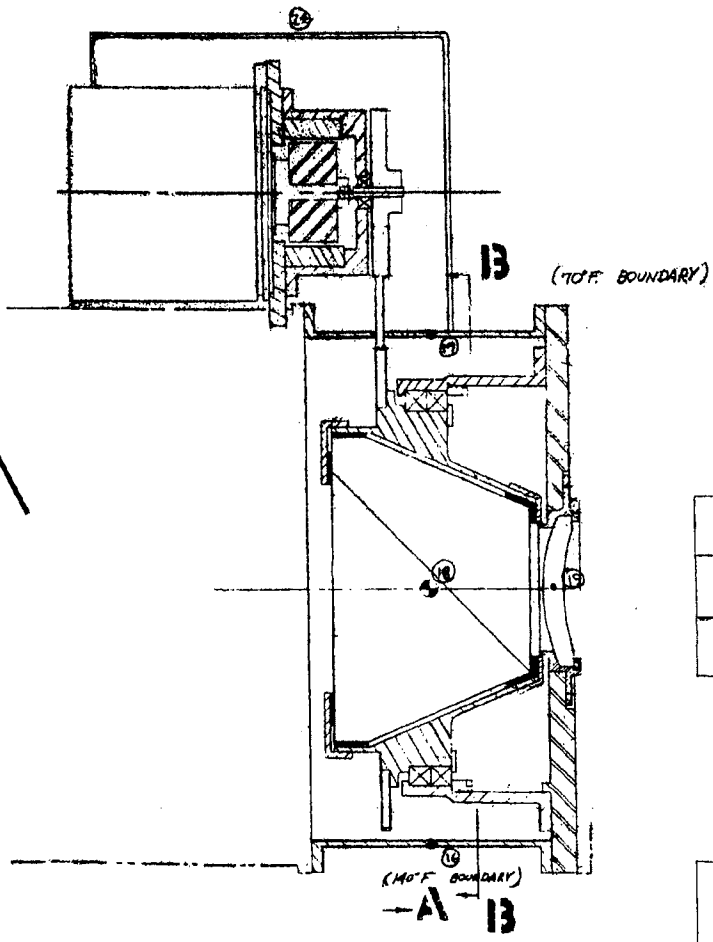


Figure 2.4-24. Node Designations of Elbow

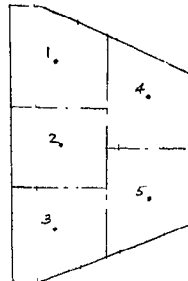
~~SECRET~~ SPECIAL HANDLING

~~SECRET~~ SPECIAL HANDLING

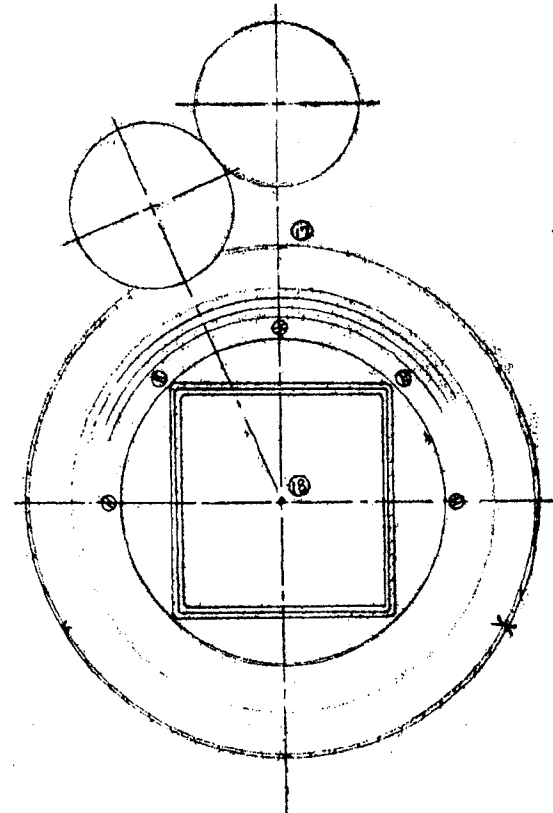
~~SECRET~~
SPECIAL HANDLING



11	14
6	9
1	4



1	6	11
4	9	14
2	7	12
5	10	15
3	8	13



SECTION **B B**

~~SECRET~~
SPECIAL HANDLING

Figure 2.4-25. Node Designations for Pechan and Structure