

~~SECRET~~

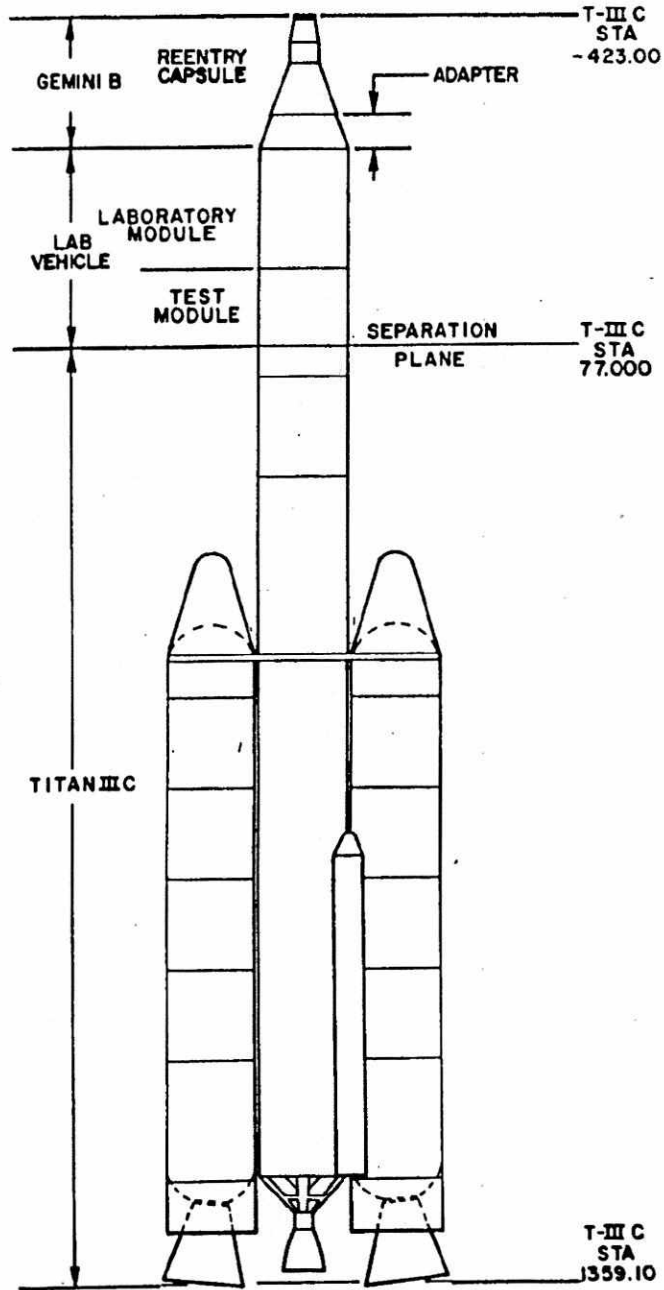


Figure 6.0-1. MOL Flight Vehicle

SSM-50
6-2

~~SECRET~~

This document contains information affecting the national defense of the United States within the meaning of the Espionage Law, Title 18, U.S.C., Section 793 and 794, the transmission of which in any manner to an unauthorized person is prohibited by law.

NRO APPROVED FOR RELEASE 10 JUNE 2014

SSM-50
6-68

~~SECRET~~

This document contains information affecting the national defense of the United States within the meaning of the Espionage Law, Title 18, U.S.C., Section 793 and 794, the transmission of which in any manner to an unauthorized person is prohibited by law.

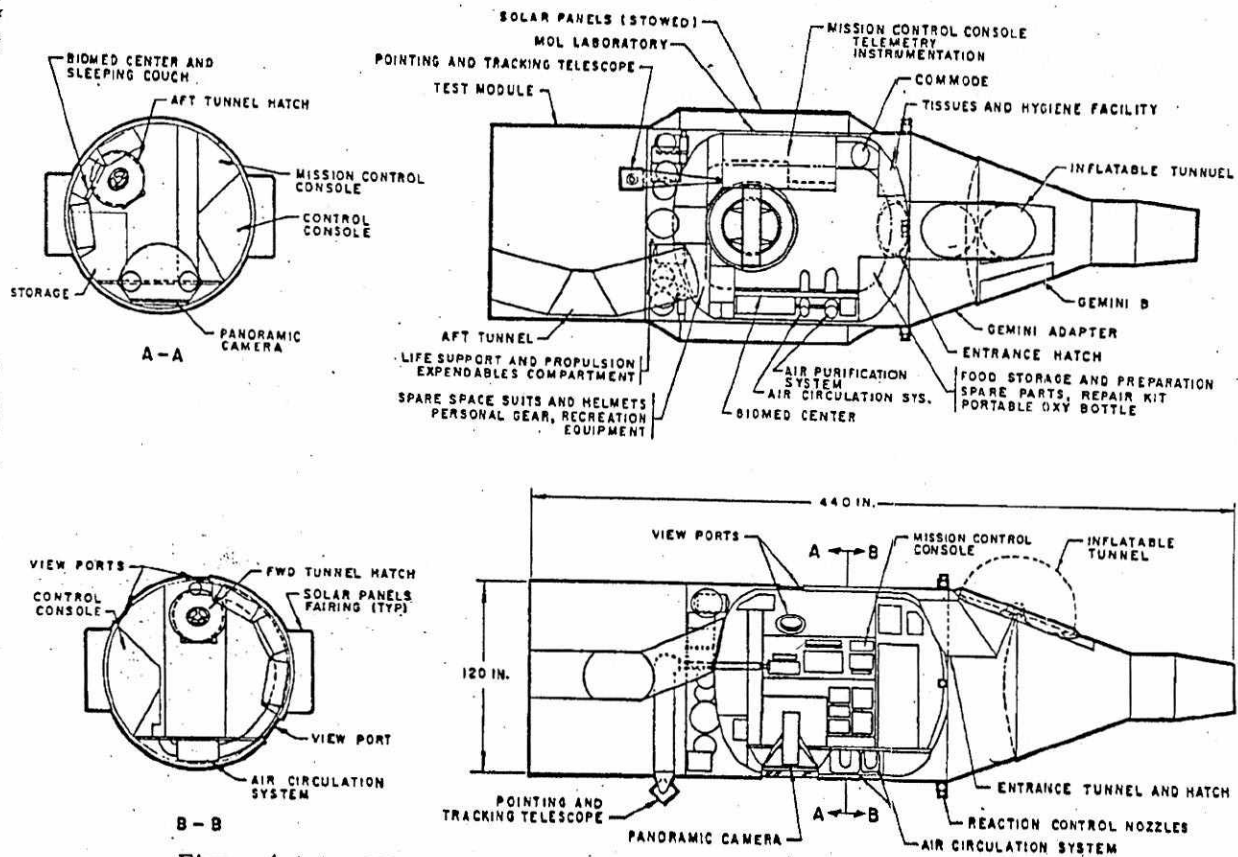


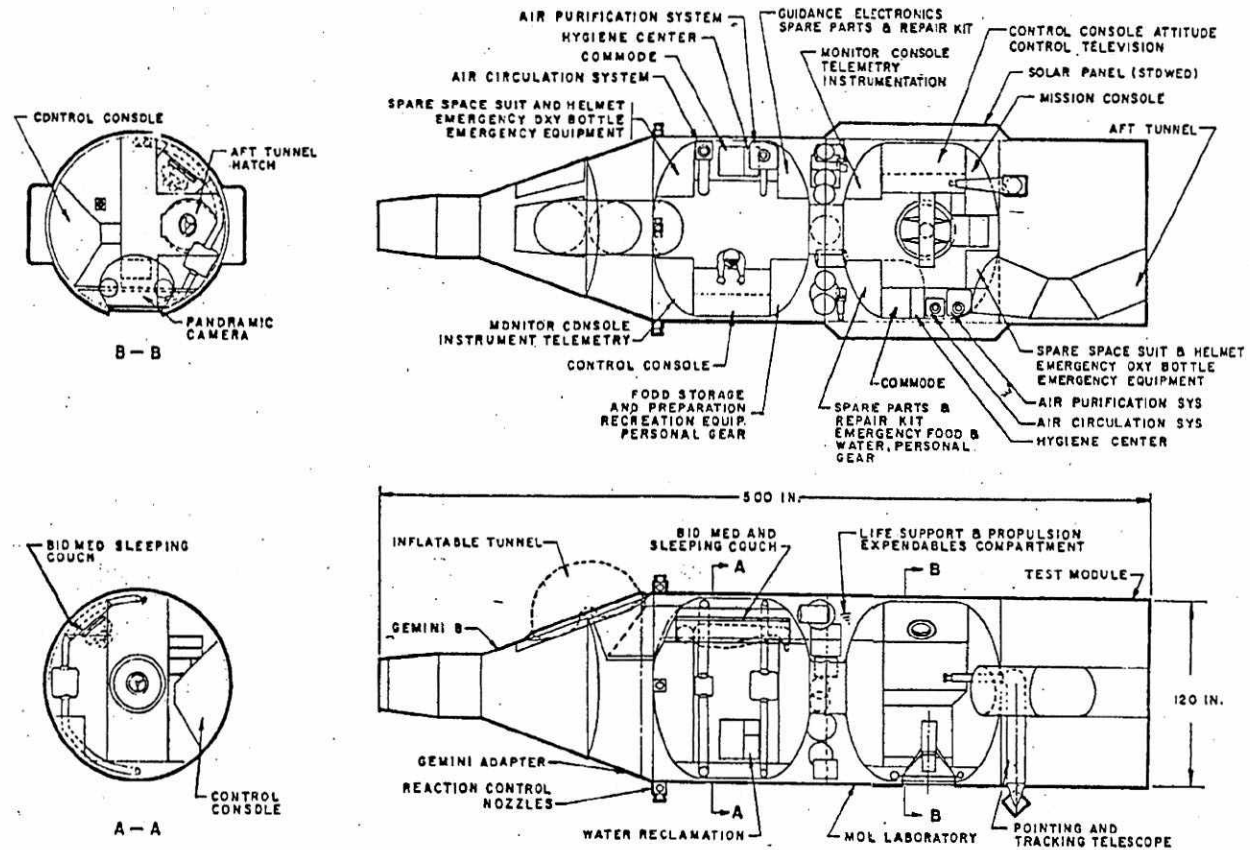
Figure 6.4-1. MOL Laboratory Vehicle - Single Pressure Compartment

~~SECRET~~

This document contains information affecting the national defense of the United States within the meaning of the Espionage Laws, Title 18, U.S.C., Section 793 and 794, the transmission of which in any manner to an unauthorized person is prohibited by law.

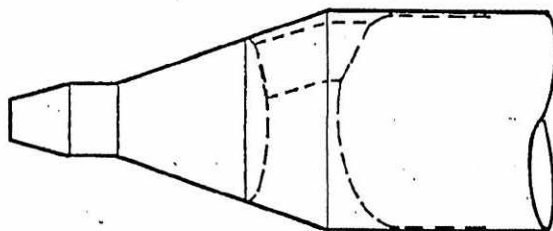
~~SECRET~~

SSM-50
6-69

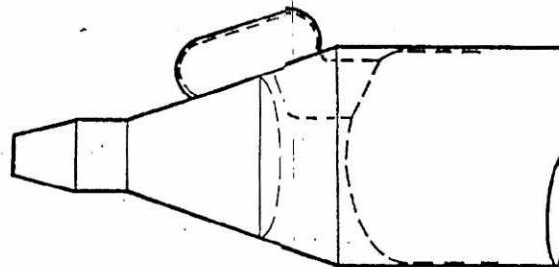


~~SECRET~~

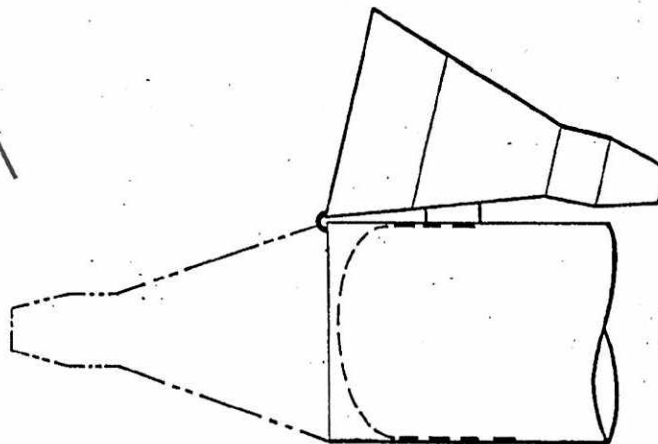
Figure 6.4-2. MOL Laboratory Vehicle - Dual Pressure Compartment



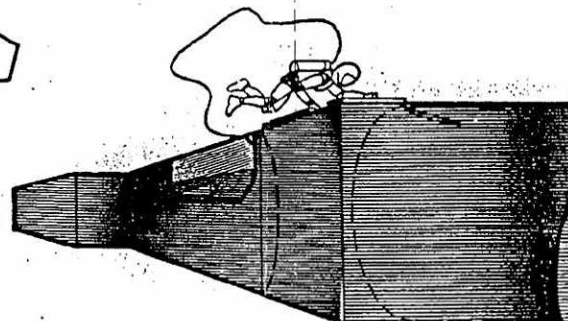
HATCH IN GEMINI HEAT SHIELD



INFLATABLE TUNNEL



GEMINI ROTATED



EXTRA VEHICULAR

Figure 6.4-3. Astronaut Transfer Concepts

This document contains information affecting the national defense of the United States within the meaning of the Espionage Laws, Title 18, U.S.C., Section 793 and 794, the transmission of which in any manner to an unauthorized person is prohibited by law.

~~SECRET~~

SSM-50
6-71

~~SECRET~~

~~SECRET~~

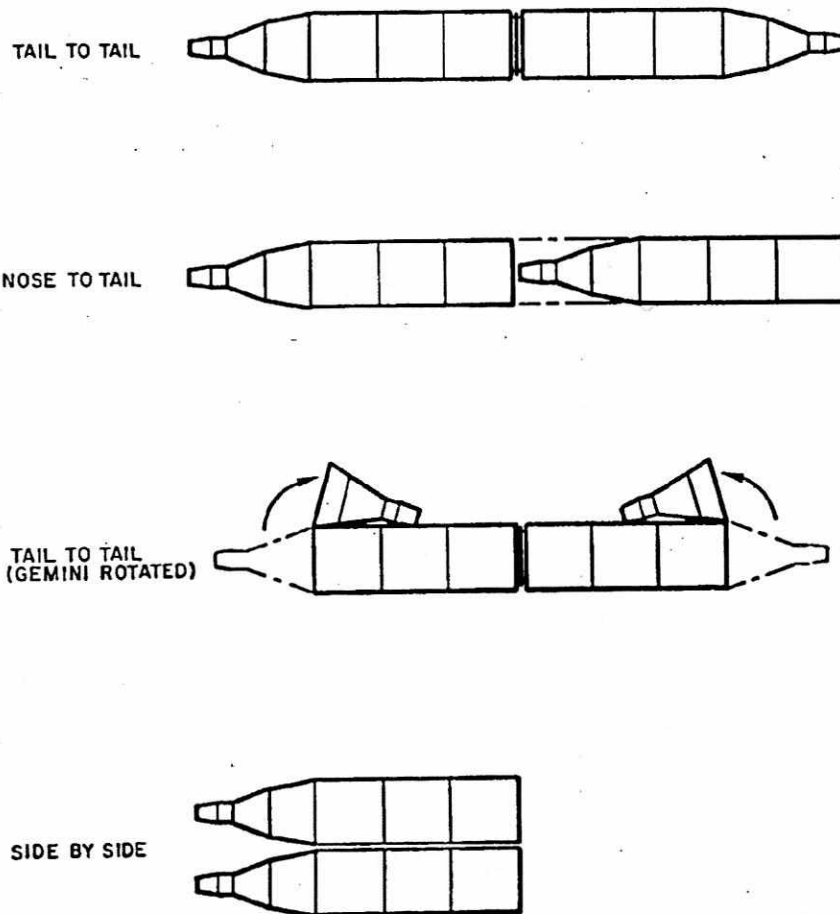
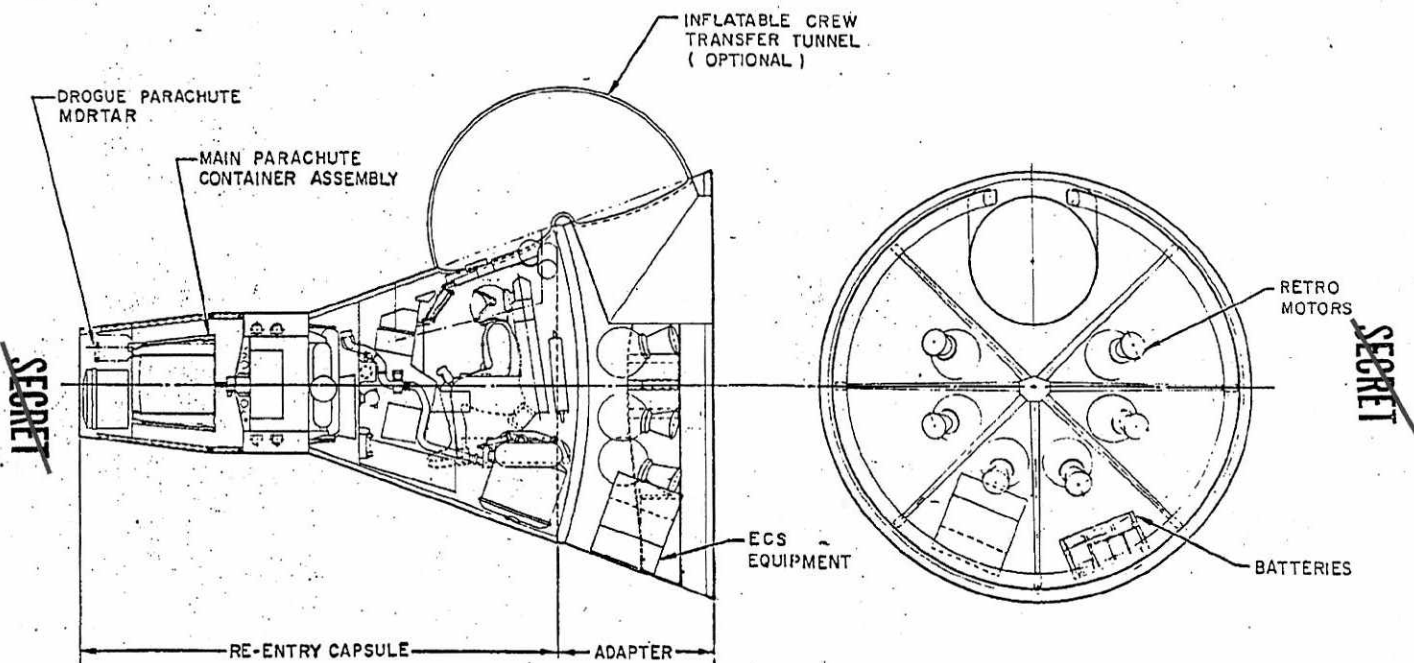


Figure 6.4-4. Docking and Mooring Concepts

~~SECRET~~

SSM-50
6-73



This document contains information affecting the national defense of the United States within the meaning of the Espionage Laws, Title 18, U.S.C., Section 793 and 794, the transmission of which in any manner to an unauthorized person is prohibited by law.

SSM-50
6-79

Figure 6.5-1. Gemini B Vehicle

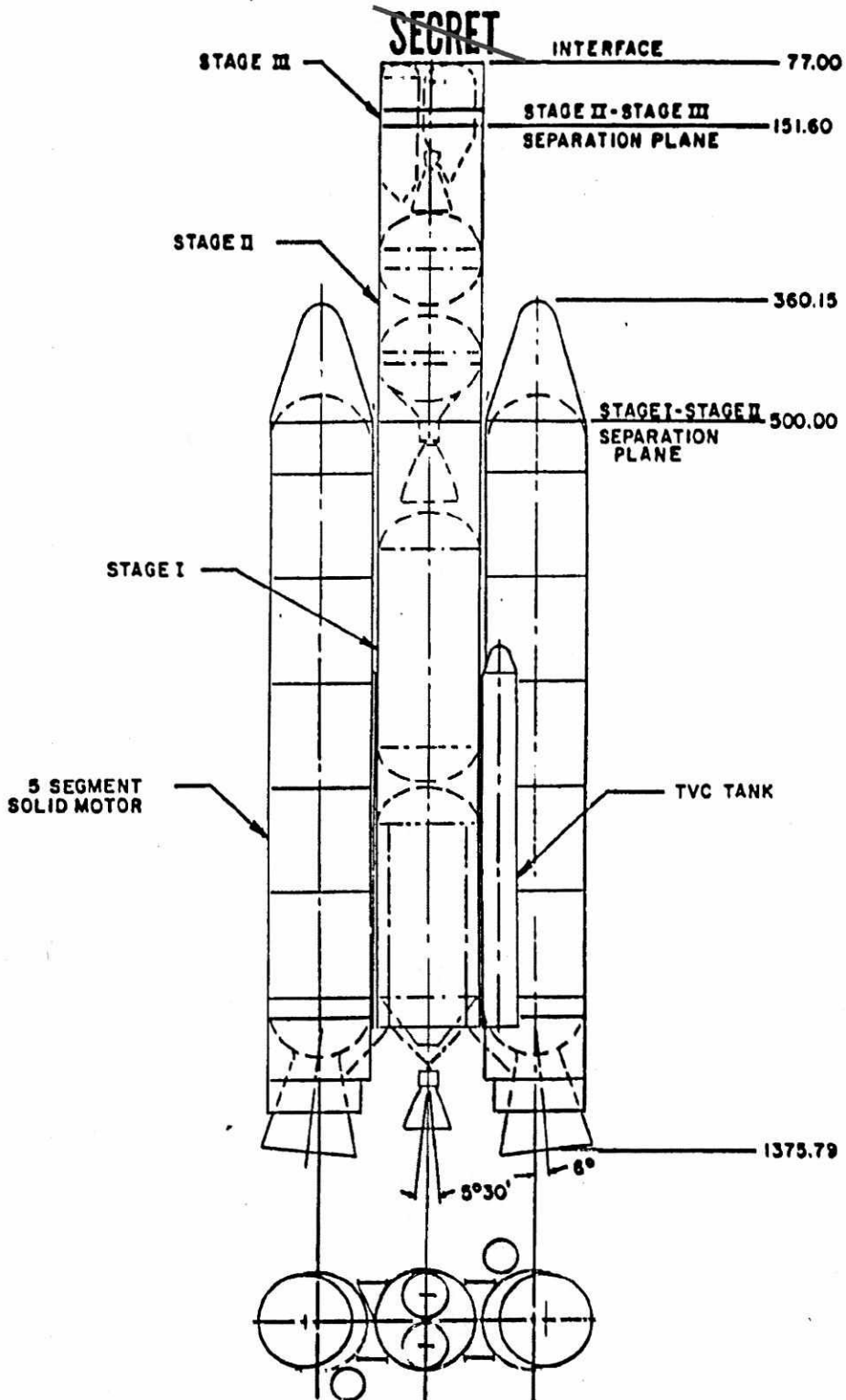


Figure 6.6-1. Titan IIC Vehicle

~~SECRET~~

SSM-50
6-83